

INSTRUCTION MANUAL



FEATURES

- ◆ 1/3" Color CCD
- ◆ 2.8~12mm Vari-focal lens
- ◆ 42 pcs IR LEDs
- ◆ IR Distance: 130ft
- ◆ 3-Axis Bracket
- ◆ DC12V

SPECIFICATIONS

Signal System	NTSC / PAL					
Image Sensor	1/3" Color CCD					
Horizontal Resolution	420TVL	480TVL	500TVL	540TVL	600TVL	700TVL
Lens	Built-in 2.8~12mm Lens					
IR LED	42pcs LED					
IR Distance	130ft					
Min. Illumination	0 Lux LED ON					
S/N Ratio	More than 52dB					
Gamma Correction	>0.45					
Synchronizing System	Internal/External					
Video Output	1.0V _{p-p} 75 Ω					
Operation Temperature	-20°C to +50°C					
Power Supply	DC 12V					

WARRANTY

The user's warranty will not apply if your serial number has been removed or if the product has been tampered with, disassembled or damaged by misuse, accident, modification or unauthorized repair.

Note: Design and specification are subject to change without prior notice.

SAFETY WARNING

CAUTION
DO NOT REMOVE COVER. NO USER SERVICEABLE PARTS INSIDE. REFER SERVICING TO QUALIFIED SERVICE PERSONNEL.

PRODUCT PRECAUTIONS

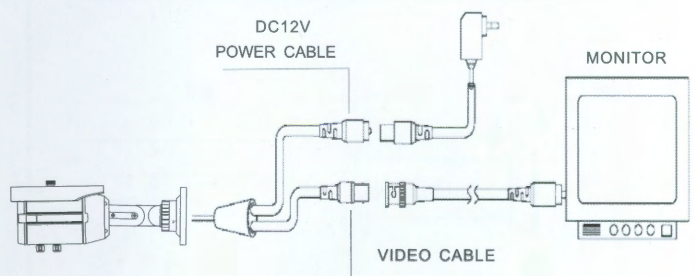
1. All the safety and operating instructions should be read before the camera is operated.
2. All warnings on the camera and in the instruction should be adhered to.
3. Handle the camera with care. Avoid striking or shaking it. Improper handling or storage could damage the camera.
4. Never aim the camera at direct sunlight or at other intense light source which could damage the image sensor and create adverse video.
5. Do not operate the camera beyond its specified temperature, humidity and power source ratings. The operational temperature range for this indoor/outdoor use camera is between -20°C ~ 50°C and relative humidity below 95%. The input power source voltage and electric current must match within the limits of camera's operating voltage specification.
6. Use dry cloth or mild detergent to clean housing when dirty. Unplug power source before cleaning.
7. Only use attachments/accessories specified by the manufacturer.
8. Do not let water or foreign objects inside the camera as it may result fire or electric shock.
9. Refer all servicing to qualified personnel. Attempting to remove the covers or disassemble the product, could expose you to dangerous high voltage points.

INSTALLATION PRECAUTIONS

1. The installation should be made by qualified service personnel and should confirm to all local regulatory codes.
2. To make a hole on the wall to hide connecting cables, ensure that no service cables, water or gas pipes are buried in the wall before drilling.
3. Select the location where the camera weight can be properly supported and firmly attached the bracket to plywood, gypsum board or plaster board.
4. Avoid the following location for camera installation:
 - a) Near an object that releases a strong magnetic or electric field
 - b) Areas with strong vibrations
5. Incorrect cable connection may cause short circuit, fire or malfunction and even damage the camera.
6. Combined weight of any camera, lens and housing must not exceed 9 lbs.

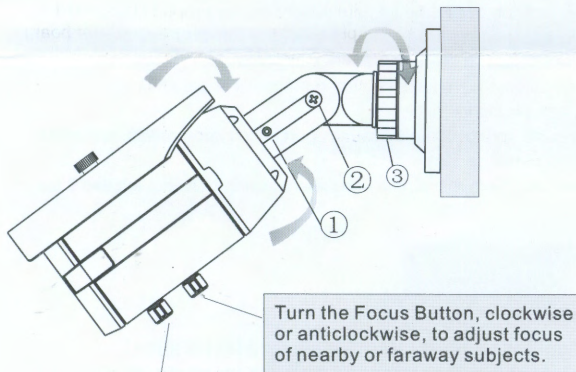
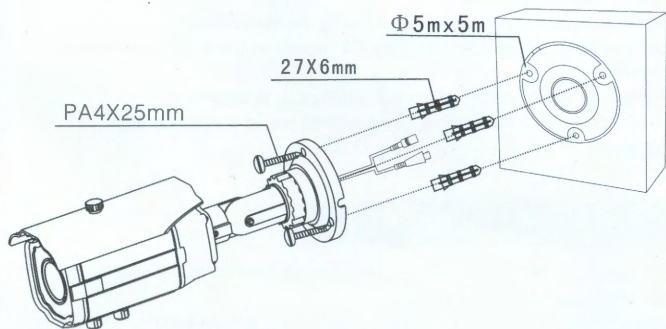
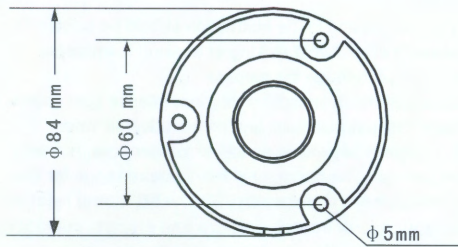
INSTALLATION

- ① Avoid the following location for camera installation:
 - a) Near an object that releases a strong magnetic or electric field.
 - b) Areas with strong vibrations.
- ② Avoid pointing the lens directly towards the sun or intense sources of light also when the camera is off. The subject must not be backlit.
- ③ Don't install it in the place where temperature is above 50°C or below -20°C.
- ④ Some lighting systems (e.g. coloured fluorescent lights) may false the colours.
- ⑤ Arrange a suitable circuit breaker and fuse upstream of the devices.
- ⑥ Video cable tie-in and DC tie-in must be avoid touching water.
- ⑦ Make sure that the rating plate data correspond to the power specifications before connecting the device to the mains.



INSTALLATION INSTRUCTION

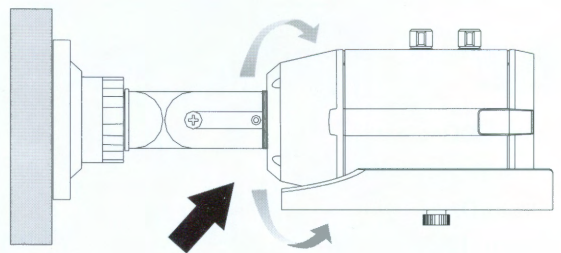
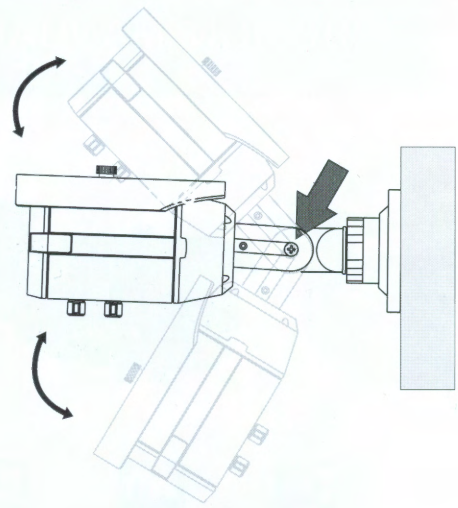
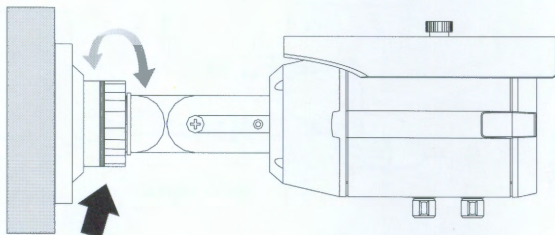
- ① Stick a $\Phi 84\text{mm}$ position sticker on the wall.
- ② Drill a $\Phi 5\text{mm}$ hole on the position selected, and insert the plastic plug into the hole.
- ③ Put power cable, communication cable and video cable through bracket hole and leave sufficient length of connect cable.
- ④ Fix the bracket on the wall with 3pcs PA4X15 screws.



Turn the Focus Button, clockwise or anticlockwise, to adjust focus of nearby or faraway subjects.

Turn the Zoom Button, clockwise or anticlockwise, to move the subject closer or away.

To adjust screw ① can turn the camera 360° and adjust picture's horizontal position. To adjust screw ② can move the camera 180° vertically. To adjust screw ③ can turn bracket 360°



TROUBLE SHOOTING

No.	Problem	Reason	How to resolve
1	The image is normal in the daytime, but unclear or have horizontal stripe in the night.	Power is too low or power cable is so long	Change power supply or shorten power cable
2	No image	Wrong connection to the video cable	re-connect
		power gets problems	change power supply
		Have not connected to power supply	connect

ACCESSORIES PROVIDED

