

Diagram References

1 Appearance

- ① Microphone
- ② Low Illumination IR Supplement Light
- ③ Built-in Camera
- ④ Loudspeaker
- ⑤ Call Button
- ⑥ Nametag
- ⑦ TAMPER
- ⑧ Network Interface
- ⑨ Module-Connecting Interface
- ⑩ Set Screw

Note: The module-connecting interface is used to connect other function module, such as nametag module, keypad module, card reader module, etc. All these modules are known as sub module.

2 Terminal

- ⑪ NC1: Door Lock Relay Output (NC)
- ⑫ AIN2: For the access of Door Contact 2
- ⑬ NO1: Door Lock Relay Output (NO)
- ⑭ AIN1: For the access of Door Contact 1
- ⑮ COM: Common Interface
- ⑯ AIN3: For the access of Exit Button 1
- ⑰ NC2: Door Lock Relay Output (NC)
- ⑱ AIN4: For the access of Exit Button 2
- ⑲ NO2: Door Lock Relay Output (NO)
- ⑳ 485+: Module-connecting interface
- ㉑ GND: Grounding
- ㉒ 485-: Module-connecting interface
- ㉓ 12 VDC: Power Input
- ㉔ 12 VDC: Power Input
- ㉕ GND: Grounding
- ㉖ GND: Grounding
- ㉗ PoE Network Interface (Supports IEEE 802.af/at-Compliant Devices)

3 Installation

Note: Video intercom module door station support one-module installation, two-module installation, three-module installation and more-than-three-module installation. Here takes three-module installation as an example.

Before You Start

- Tools that you need to prepare for installation: Drill(6), cross screw driver (PH1*150 mm), and gradienter.
- Make sure all the related equipment is power-off during the installation.
- Make sure you have configured the sub module address before installation. Valid sub module address range is 1 to 8. The No. should be unique for sub modules that connected to the same main unit. The sub module address and corresponding switch status is shown as the figure.

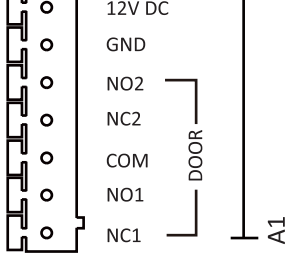
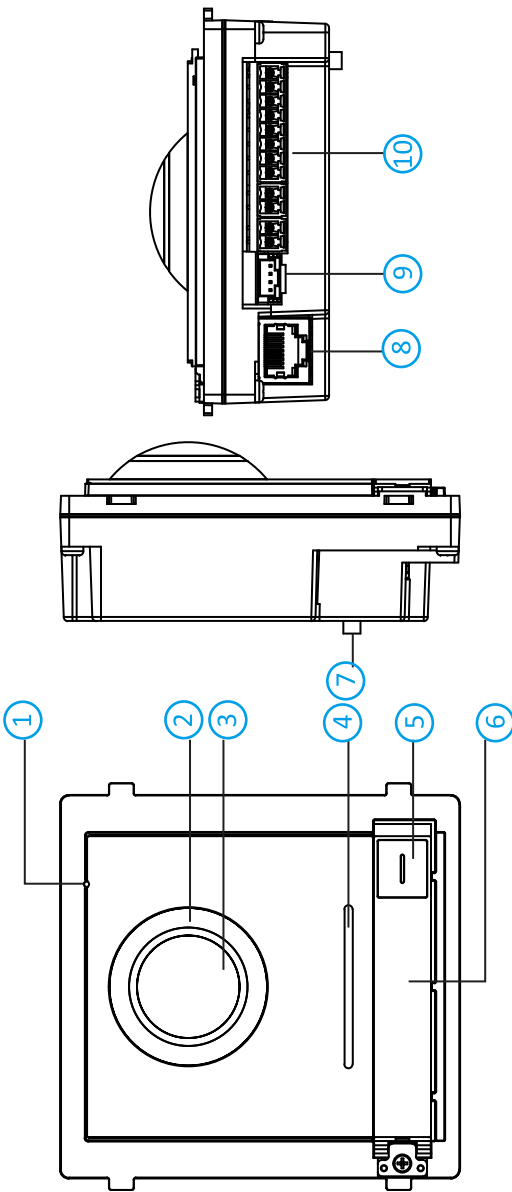
Sub Module Address	DIP 1	DIP 2	DIP 3	DIP 4	DIP 5	DIP 6	DIP 7	DIP 8
Module 1	ON	OFF	OFF	OFF	OFF	OFF	OFF	OFF
Module 2	OFF	ON	OFF	OFF	OFF	OFF	OFF	OFF
Module 3	ON	ON	OFF	OFF	OFF	OFF	OFF	OFF
Module 4	OFF	OFF	ON	OFF	OFF	OFF	OFF	OFF
Module 5	ON	OFF	ON	OFF	OFF	OFF	OFF	OFF
Module 6	OFF	ON	ON	OFF	OFF	OFF	OFF	OFF
Module 7	ON	ON	ON	OFF	OFF	OFF	OFF	OFF
Module 8	OFF	OFF	OFF	ON	OFF	OFF	OFF	OFF

★ Three-Module Flush Mounting

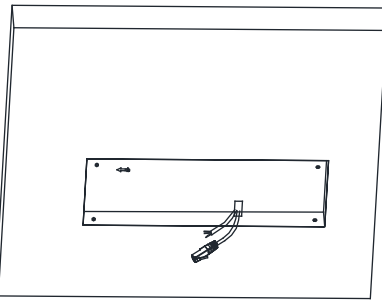
1. Cut the installation hole, and pull the cable out.
Note: The suggested dimension of the installation hole is 321.8(W) × 108(H) × 45.5(D) mm. The suggested length of the cables left outside is 270 mm.
2. Select a cable entry and remove the plastic sheet. Route the cables through the gang box hole. Insert the gang box into the installation hole. Mark the gang box screw holes' position with a marker, and take out the gang box.
3. Drill 4 holes according to the marks on the wall, and insert the expansion sleeves into the screw holes. Fix the gang box with 4 expansion bolts.
4. Fill the gap between the gang box and wall with concrete or Silicone sealant. Remove the mounting ears with tool after concrete is dry.
5. Connect cables and insert the modules.
a. Connect Cable 1 and end of Cable 2 to the corresponding interfaces of the main unit, then insert the main unit into the upper grid.
b. Connect the other end of Cable 2 to the input interface of Sub Module 1. Connect one end of Sub Module 1 and insert it into the middle grid.
c. Connect the other end of Cable 3 to the input interface of Sub Module 2. Insert it into the bottom grid.
6. Fix the cover and the main unit with 2 socket head cap screws by using a hexagon wrench.

★ Surface Mounting with Protective Shield

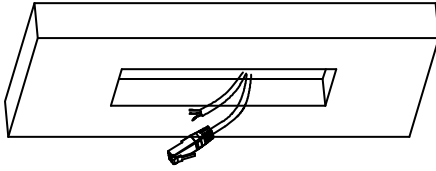
1. Paste the installation sticker 1 onto the wall. Make sure the sticker is placed horizontally via measuring with the gradienter. Drill 4 holes according to the screw holes on the sticker.
Note: The suggested size of hole is 6(diameter) × 25(depth) mm. The suggested length of the cables left outside is 270 mm.
2. Remove the sticker and insert the expansion sleeves into the screw holes. Fix the mounting frame.



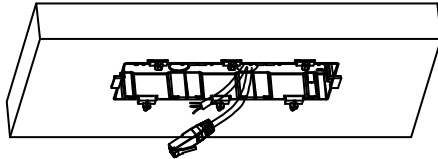
1



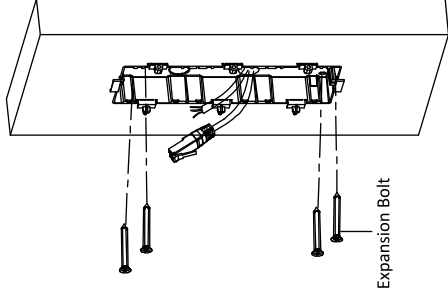
2



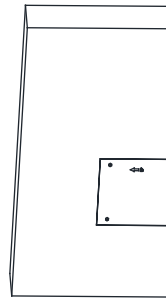
3



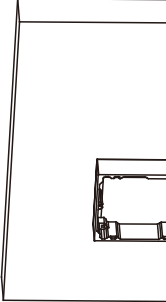
4



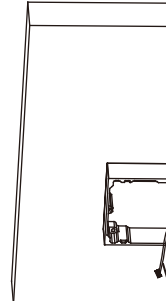
1



2



3



1

