

# **Module Door Station**

**User Manual**

## Legal Information

©2020 Hangzhou Hikvision Digital Technology Co., Ltd. All rights reserved.

### About this Manual

The Manual includes instructions for using and managing the Product. Pictures, charts, images and all other information hereinafter are for description and explanation only. The information contained in the Manual is subject to change, without notice, due to firmware updates or other reasons. Please find the latest version of this Manual at the Hikvision website ( <https://www.hikvision.com/> ).

Please use this Manual with the guidance and assistance of professionals trained in supporting the Product.

### Trademarks

**HIKVISION** and other Hikvision's trademarks and logos are the properties of Hikvision in various jurisdictions.

Other trademarks and logos mentioned are the properties of their respective owners.

### Disclaimer

TO THE MAXIMUM EXTENT PERMITTED BY APPLICABLE LAW, THIS MANUAL AND THE PRODUCT DESCRIBED, WITH ITS HARDWARE, SOFTWARE AND FIRMWARE, ARE PROVIDED "AS IS" AND "WITH ALL FAULTS AND ERRORS". HIKVISION MAKES NO WARRANTIES, EXPRESS OR IMPLIED, INCLUDING WITHOUT LIMITATION, MERCHANTABILITY, SATISFACTORY QUALITY, OR FITNESS FOR A PARTICULAR PURPOSE. THE USE OF THE PRODUCT BY YOU IS AT YOUR OWN RISK. IN NO EVENT WILL HIKVISION BE LIABLE TO YOU FOR ANY SPECIAL, CONSEQUENTIAL, INCIDENTAL, OR INDIRECT DAMAGES, INCLUDING, AMONG OTHERS, DAMAGES FOR LOSS OF BUSINESS PROFITS, BUSINESS INTERRUPTION, OR LOSS OF DATA, CORRUPTION OF SYSTEMS, OR LOSS OF DOCUMENTATION, WHETHER BASED ON BREACH OF CONTRACT, TORT (INCLUDING NEGLIGENCE), PRODUCT LIABILITY, OR OTHERWISE, IN

CONNECTION WITH THE USE OF THE PRODUCT, EVEN IF HIKVISION HAS BEEN ADVISED OF THE POSSIBILITY OF SUCH DAMAGES OR LOSS.

YOU ACKNOWLEDGE THAT THE NATURE OF INTERNET PROVIDES FOR INHERENT SECURITY RISKS, AND HIKVISION SHALL NOT TAKE ANY RESPONSIBILITIES FOR ABNORMAL OPERATION, PRIVACY LEAKAGE OR OTHER DAMAGES RESULTING FROM CYBER-ATTACK, HACKER ATTACK, VIRUS INSPECTION, OR OTHER INTERNET SECURITY RISKS; HOWEVER, HIKVISION WILL PROVIDE TIMELY TECHNICAL SUPPORT IF REQUIRED.

YOU AGREE TO USE THIS PRODUCT IN COMPLIANCE WITH ALL APPLICABLE LAWS, AND YOU ARE SOLELY RESPONSIBLE FOR ENSURING THAT YOUR USE CONFORMS TO THE APPLICABLE LAW. ESPECIALLY, YOU ARE RESPONSIBLE, FOR USING THIS PRODUCT IN A MANNER THAT DOES NOT INFRINGE ON THE RIGHTS OF THIRD PARTIES, INCLUDING WITHOUT LIMITATION, RIGHTS OF PUBLICITY, INTELLECTUAL PROPERTY RIGHTS, OR DATA PROTECTION AND OTHER PRIVACY RIGHTS. YOU SHALL NOT USE THIS PRODUCT FOR ANY PROHIBITED END-USES, INCLUDING THE DEVELOPMENT OR PRODUCTION OF WEAPONS OF MASS DESTRUCTION, THE DEVELOPMENT OR PRODUCTION OF CHEMICAL OR BIOLOGICAL WEAPONS, ANY ACTIVITIES IN THE CONTEXT RELATED TO ANY NUCLEAR EXPLOSIVE OR UNSAFE NUCLEAR FUEL-CYCLE, OR IN SUPPORT OF HUMAN RIGHTS ABUSES.

IN THE EVENT OF ANY CONFLICTS BETWEEN THIS MANUAL AND THE APPLICABLE LAW, THE LATER PREVAILS.




#### **Data Protection**

During the use of device, personal data will be collected, stored and processed. To protect data, the development of Hikvision devices incorporates privacy by design principles. For example, for device with facial recognition features, biometrics data is stored in your device with encryption method; for fingerprint device, only fingerprint template will be saved, which is impossible to reconstruct a fingerprint image.

As data controller, you are advised to collect, store, process and transfer data in accordance with the applicable data protection laws and regulations, including without limitation, conducting security controls to safeguard personal data, such as, implementing reasonable administrative and physical security controls, conduct periodic reviews and assessments of the effectiveness of your security controls.

## Symbol Conventions

The symbols that may be found in this document are defined as follows.

Symbol	Description
 <b>Danger</b>	Indicates a hazardous situation which, if not avoided, will or could result in death or serious injury.
 <b>Caution</b>	Indicates a potentially hazardous situation which, if not avoided, could result in equipment damage, data loss, performance degradation, or unexpected results.
 <b>Note</b>	Provides additional information to emphasize or supplement important points of the main text.

## Regulatory Information

### FCC Information

Please take attention that changes or modification not expressly approved by the party responsible for compliance could void the user's authority to operate the equipment.

FCC compliance: This equipment has been tested and found to comply with the limits for a Class B digital device, pursuant to part 15 of the FCC Rules. These limits are designed to provide reasonable protection against harmful interference in a residential installation. This equipment generates, uses and can radiate radio frequency energy and, if not installed and used in accordance with the instructions, may cause harmful interference to radio communications. However, there is no guarantee that interference will not occur in a particular installation. If this equipment does cause harmful interference to radio or television reception, which can be determined by turning the equipment off and on, the user is encouraged to try to correct the interference by one or more of the following measures:

- Reorient or relocate the receiving antenna.
- Increase the separation between the equipment and receiver.
- Connect the equipment into an outlet on a circuit different from that to which the receiver is connected.
- Consult the dealer or an experienced radio/TV technician for help

### FCC Conditions

This device complies with part 15 of the FCC Rules. Operation is subject to the following two conditions:

1. This device may not cause harmful interference.
2. This device must accept any interference received, including interference that may cause undesired operation.

### EU Conformity Statement



This product and - if applicable - the supplied accessories too are marked with "CE" and comply therefore with the applicable harmonized European standards listed under the EMC Directive 2014/30/EU, the RoHS Directive 2011/65/EU



2012/19/EU (WEEE directive): Products marked with this symbol cannot be disposed of as unsorted municipal waste in the European Union. For proper recycling, return this product to your local supplier upon the purchase of equivalent new equipment, or dispose of it at designated collection points. For more information see: [www.recyclethis.info](http://www.recyclethis.info)



2006/66/EC (battery directive): This product contains a battery that cannot be disposed of as unsorted municipal waste in the European Union. See the product documentation for specific battery information. The battery is marked with this symbol, which may include lettering to indicate cadmium (Cd), lead (Pb), or mercury (Hg). For proper recycling, return the battery to your supplier or to a designated collection point. For more information see: [www.recyclethis.info](http://www.recyclethis.info)

### Industry Canada ICES-003 Compliance

This device meets the CAN ICES-3 (B)/NMB-3(B) standards requirements.

# Contents

1 Terminal and Wiring .....	1
1.1 Appearance .....	1
1.2 Terminal Description .....	7
1.3 Module Door Station Wiring .....	10
1.3.1 Door Lock Wiring .....	10
1.3.2 Door Contact Wiring .....	11
1.3.3 Exit Button Wiring .....	12
2 Installation .....	13
2.1 Configure Sub Module Address .....	13
2.2 One-Module Installation .....	14
2.2.1 One-Module Surface Mounting .....	14
2.2.2 One-Module Flush Mounting .....	17
2.3 Two-Module Installation .....	21
2.3.1 Two-Module Surface Mounting .....	21
2.3.2 Two-Module Flush Mounting .....	26
2.4 Three-Module Installation .....	30
2.4.1 Three-Module Surface Installation .....	30
2.4.2 Three-Module Flush Mounting .....	34
2.5 More-Than-Three Module Installation .....	38
2.5.1 More-than-Three Module Surface Mounting .....	38
2.5.2 More-Than-Three Module Flush Mounting .....	44
3 Activation .....	52

3.1 Activate Device via Web .....	52
3.2 Activate Device via Client Software .....	52
3.3 Edit Network Parameters .....	53
4 Remote Configuration via Web .....	54
4.1 Live View .....	54
4.2 User Management .....	54
4.3 Number Settings .....	55
4.4 Device Management .....	55
4.5 Parameters Settings .....	55
4.5.1 Local Parameters Settings .....	56
4.5.2 System Settings .....	57
4.5.3 Network Settings .....	60
4.5.4 Video & Audio Settings .....	64
4.5.5 Image Settings .....	67
4.5.6 Event Settings .....	70
4.5.7 Schedule Settings .....	73
4.5.8 Intercom Settings .....	73
4.5.9 Access Control Settings .....	76
5 Configuration via Client Software .....	79
5.1 Device Management .....	79
5.1.1 Add Online Device .....	79
5.1.2 Add Device by IP Address .....	80
5.1.3 Add Device by IP Segment .....	80
5.2 Live View via Door Station .....	81

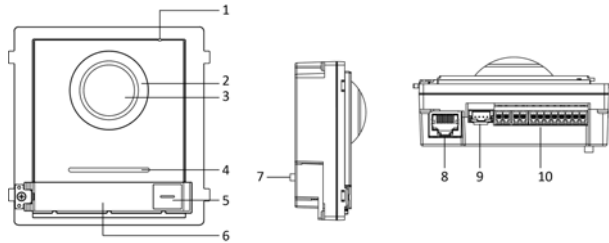


5.3 Video Intercom Settings .....	81
5.3.1 Receive Call from Door Station .....	81
5.3.2 Search Call Logs .....	82
5.3.3 Upload Armed Information .....	83
A. Communication Matrix and Device Command .....	84

# 1 Terminal and Wiring

## 1.1 Appearance

### Main Unit



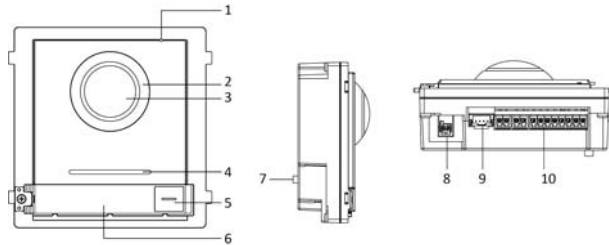
**Figure 1-1 Main Unit Appearance**  
**Table 1-1 Appearance Description**

No.	Description
1	Microphone
2	Low Illumination IR Supplement Light
3	Built-in Camera
4	Loudspeaker
5	Call Button
6	Nametag
7	TAMPER
8	Network Interface
9	Module-Connecting Interface (output)
10	Terminals

**Note**

- Nametag area supports insert customized name card. The suggested card size is: 58 (L) x 11.7(W) mm.
- The module connecting interface is used to connect other function module, such as nametag module, keypad module, card reader module, etc. All these modules are known as sub module.

**Two-Wire Main Unit**



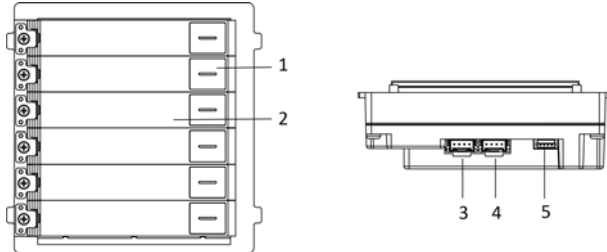
**Figure 1-2 Two-Wire Main Unit**  
**Table 1-2 Appearance Description**

No.	Description
1	Microphone
2	Low Illumination IR Supplement Light
3	Built-in Camera
4	Loudspeaker
5	Call Button
6	Nametag
7	TAMPER
8	Two-Wire Interface
9	Module-Connecting Interface (output)
10	Terminals

**Note**

- Nametag area supports insert customized name card. The suggested card size is: 58 (L) x 11.7(W) mm.
- The module connecting interface is used to connect other function module, such as nametag module, keypad module, card reader module, etc. All these modules are known as sub module.

**Nametag Module**

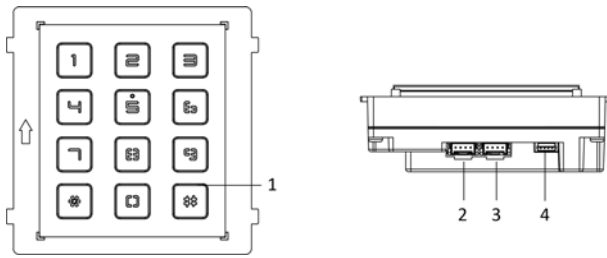


**Figure 1-3 Nametag Module Appearance**

**Table 1-3 Appearance Description**

No.	Description
1	Call Button
2	Nametag
3	Module-Connecting Interface (output)
4	Module-Connecting Interface (input)
5	Debugging Port

**Keypad Module**

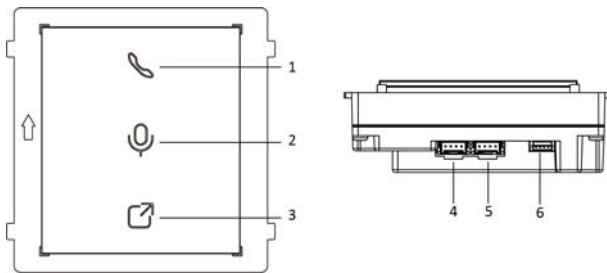


**Figure 1-4 Keypad Module Appearance**

**Table 1-4 Appearance Description**

No.	Description
1	Button
2	Module-Connecting Interface (output)
3	Module-Connecting Interface (input)
4	Debugging Port

**Indicator Module**

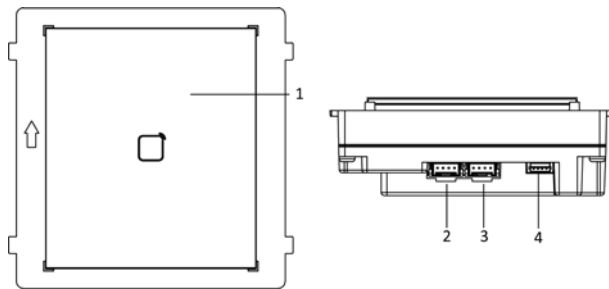


**Figure 1-5 Indicator Module**

**Table 1-5 Appearance Description**

No.	Description
1	Calling Indicator
2	Two-way Audio Indicator
3	Unlock Indicator
4	Module-connecting Interface (output)
5	Module-connecting Interface(input)
6	Debugging Port

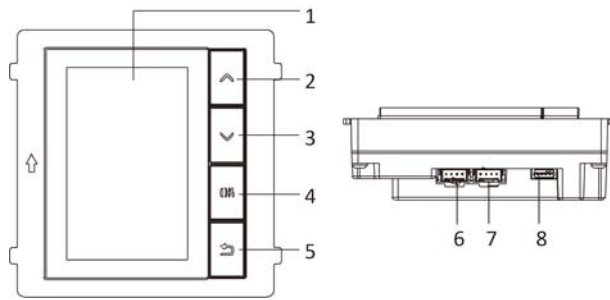
**Card Reader Module**



**Figure 1-6 Card Reader Module**  
**Table 1-6 Appearance Description**

No.	Description
1	Card Reading Area
2	Module-connecting Interface (output)
3	Module-connecting Interface(input)
4	Debugging Port

**Display Module**

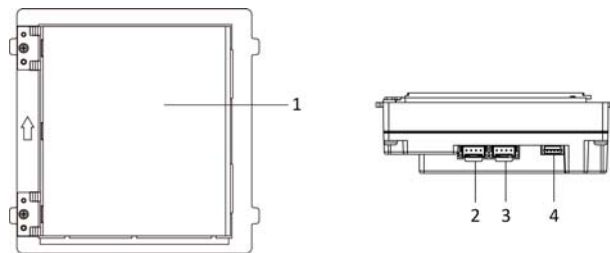


**Figure 1-7 Display Module**

**Table 1-7 Description**

No.	Description	No.	Description
1	Screen	5	Back Button
2	Up Button	6	Module-connecting Interface (output)
3	Down Button	7	Module-connecting Interface (input)
4	Confirm Button	8	Debug Port

**Information Module**



**Figure 1-8 Information Module**

**Table 1-8 Description**

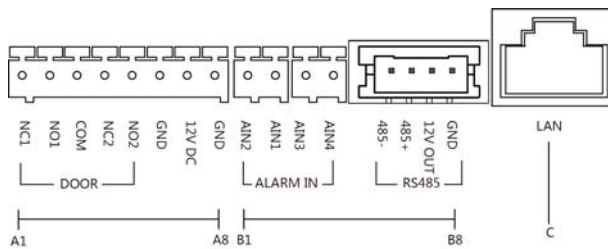
No.	Description
1	Display Area
2	Module-connecting Interface (output)
3	Module-connecting Interface (input)
4	Debugging Port

**Note**

The debugging port is used for debugging only.

## 1.2 Terminal Description

### Main Unit Terminals



**Figure 1-9 Main Unit Terminals**

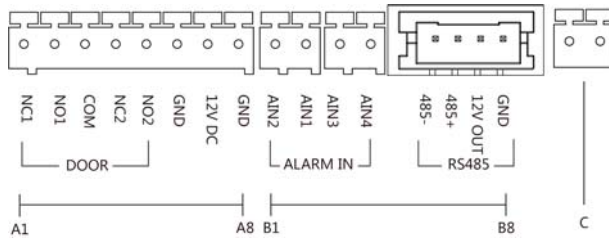
**Table 1-9 Descriptions of Terminals and Interfaces**

No.	Interface	Description
A1	NC1	Door Lock Relay Output (NC)
A2	NO1	Door Lock Relay Output (NO)
A3	COM	Common Interface
A4	NC2	Door Lock Relay Output (NC)



No.	Interface	Description
A5	NO2	Door Lock Relay Output (NO)
A6	GND	Grounding
A7	12 VDC	Power Input
A8	GND	Grounding
B1	AIN2	For the access of Door Magnetic 2
B2	AIN1	For the access of Door Magnetic 1
B3	AIN3	For the access of Exit Button 1
B4	AIN4	For the access of Exit Button 2
B5	485-	Module-connecting Interface
B6	485+	
B7	12 V OUT	
B8	GND	
C	LAN	PoE Network Interface(Supports IEEE 802.3af/at-Compliant Devices)

**Two-Wire Main Unit Terminal**

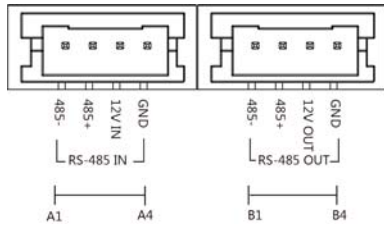


**Figure 1-10 Two-Wire Main Unit Terminal**

**Table 1-10 Descriptions of Terminals and Interfaces**

No.	Interface	Description
A1	NC1	Door Lock Relay Output (NC)
A2	NO1	Door Lock Relay Output (NO)
A3	COM	Common Interface
A4	NC2	Door Lock Relay Output (NC)
A5	NO2	Door Lock Relay Output (NO)
A6	GND	Grounding
A7	12 VDC	Reserved
A8	GND	Grounding
B1	AIN2	For the access of Door Magnetic 2
B2	AIN1	For the access of Door Magnetic 1
B3	AIN3	For the access of Exit Button 1
B4	AIN4	For the access of Exit Button 2
B5	485-	Module-connecting Interface
B6	485+	
B7	12 V OUT	
B8	GND	
C	Two-Wire Interface	Two-Wire Interface

**Sub Module Terminal**



**Figure 1-11 Sub Module Terminal**  
**Table 1-11 Description**

No.	Interface	Description
A1	485-	Module-Connecting Interface (Input)
A2	485+	
A3	12V IN	
A4	GND	
B1	485-	Module-Connecting Interface (Output)
B2	485+	
B3	12V OUT	
B4	GND	

**1.3 Module Door Station Wiring**

**1.3.1 Door Lock Wiring**

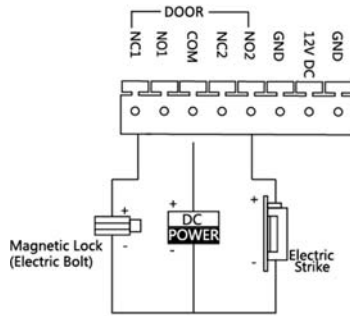


Figure 1-12 Door Lock Wiring

**Note**

Terminal NC1/COM is set as default for accessing magnetic lock/electric bolt; terminal NO2/COM is set as default for accessing electric strike.

**1.3.2 Door Contact Wiring**

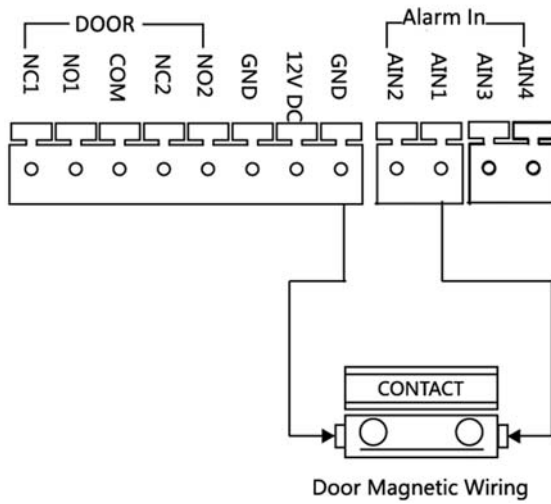
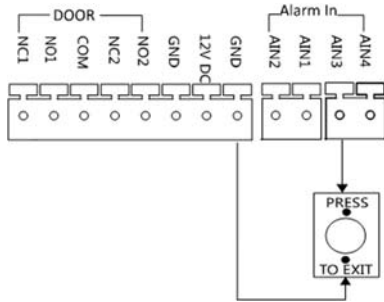


Figure 1-13 Door Contact Wiring

**Note**

AIN1 and AIN2 are defaulted to connect door contact. Door contact connected to AIN1 detects status of the lock that connected to NC1/NO1; Door contact connected to AIN2 detects the status of the lock connected to NC2/NO2.

**1.3.3 Exit Button Wiring**



**Figure 1-14 Exit Button Wiring**

**Note**

AIN3 and AIN4 are set as default for connecting exit button. Exit button connected to AIN3 opens the lock connected to NC1/NO1; Exit button connected to AIN4 controls the lock that connected to NC2/NO2.

## 2 Installation

### Note

- Make sure the device in the package is in good condition and all the assembly parts are included.
- Sub module must work along with the main unit.
- Set the sub module address before start the installation steps.
- Make sure the place for surface mounting is flat.
- Make sure all the related equipment is power-off during the installation.
- Tools that you need to prepare for installation:  
Drill ( $\varnothing 6$ ), cross screwdriver (PH1\*150 mm), and gradienter.

### 2.1 Configure Sub Module Address

You need to set the sub module address via DIP switch before installation.

#### Steps

1. Remove the rubber cover on the rear panel of the sub module to expose the DIP switch.

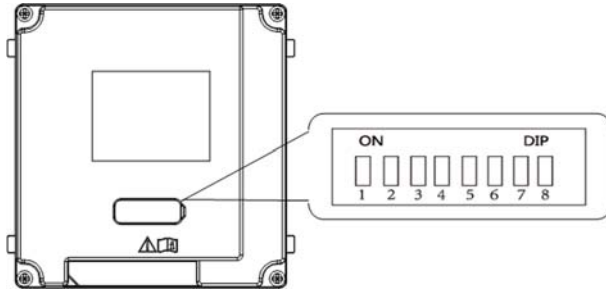


Figure 2-1 DIP Switch

2. Set the sub module address according to the DIP rules, and install the rubber cover back.

 **Note**

- Bit 1, 2, 3, 4 are used to coding the sub module address. Bit 5, 6, 7 are reserved. Set Bit 8 as on to enable a resistance (120Ω).
- Valid sub module address is from 1 to 8. The address should be unique for connecting to the main unit.  
The sub module address and its corresponding switch status are displayed as below.

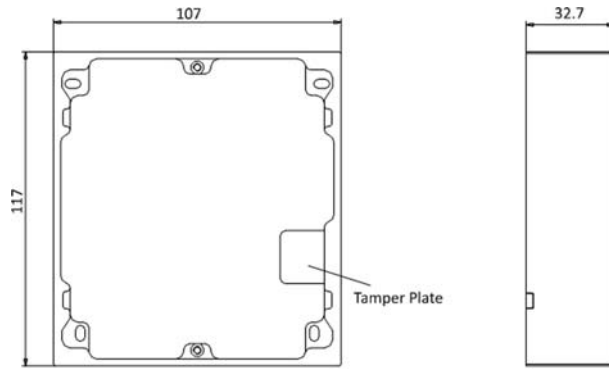
**Table 2-1 Description**

<b>Sub Module Address</b>	<b>1</b>	<b>2</b>	<b>3</b>	<b>4</b>	<b>5</b>	<b>6</b>	<b>7</b>	<b>8</b>
Bit 1	ON	OFF	ON	OFF	ON	OFF	ON	OFF
Bit 2	OFF	ON	ON	OFF	OFF	ON	ON	OFF
Bit 3	OFF	OFF	OFF	ON	ON	ON	ON	OFF
Bit 4	OFF	OFF	OFF	OFF	OFF	OFF	OFF	ON

## 2.2 One-Module Installation

### 2.2.1 One-Module Surface Mounting

**Before You Start**



**Figure 2-2 Mounting Frame**

---

**Note**

- The dimension of one module mounting frame (W × H × D) is: 117 mm × 107 mm × 32.7 mm.
- The dimensions above are for reference only. The actual size can be slightly different from the theoretical dimension.

---

**Steps**

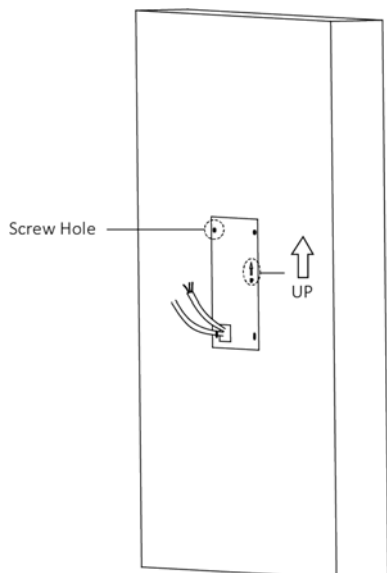
1. Paste the installation Sticker 1 onto the wall. Make sure the sticker is placed horizontally via measuring with the gradienter.
2. Drill 4 holes according to the screw holes on the sticker.

---

**Note**

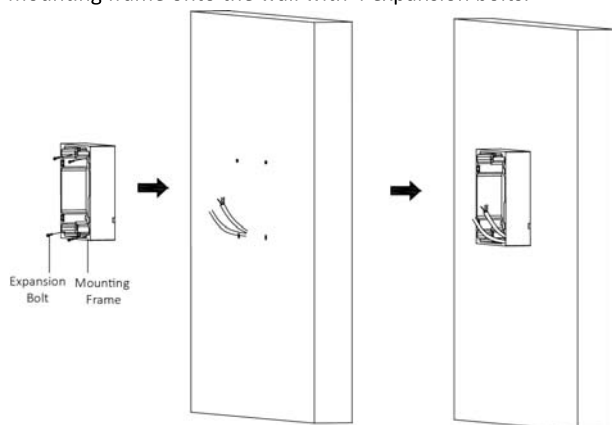
- The suggested size of hole is 6 (diameter) × 25 (depth) mm.
  - The suggested length of cables left outside is 100 mm.
-





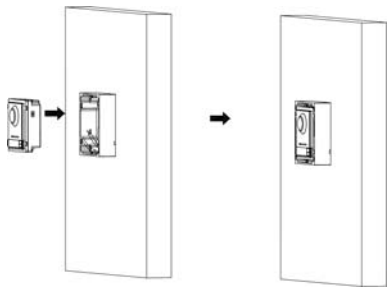
**Figure 2-3 Drill Screw Holes**

3. Remove the striker and insert the expansion sleeves into the screw holes.
4. Fix the mounting frame onto the wall with 4 expansion bolts.



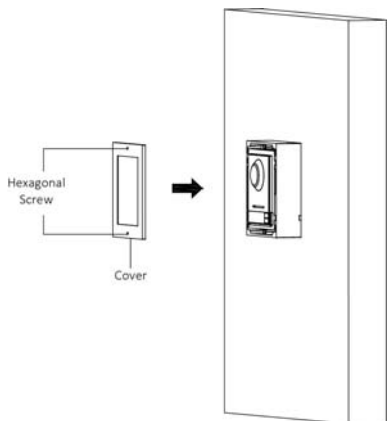
**Figure 2-4 Fix the Mounting Frame**

5. Connect the cables to the corresponding interfaces of the main unit and insert the main unit into the frame.



**Figure 2-5 Insert the Main Unit**

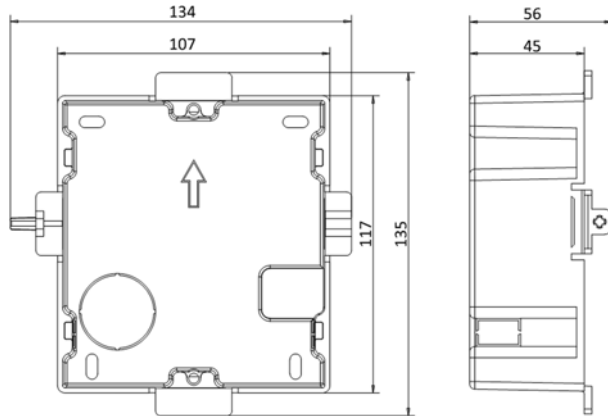
6. Fix the cover onto the frame.



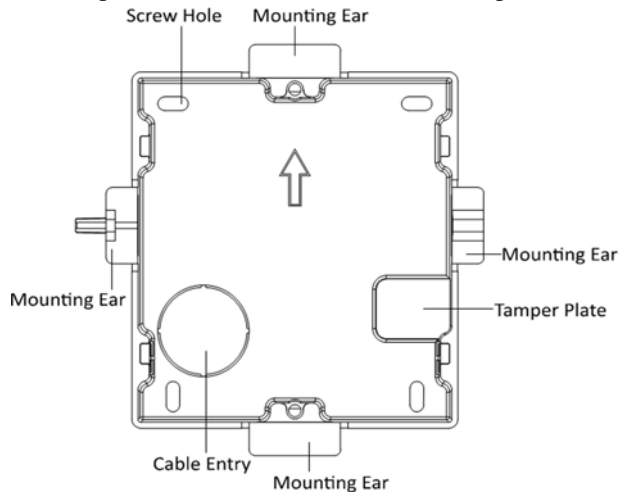
**Figure 2-6 Fix the Cover**

### 2.2.2 One-Module Flush Mounting

**Before You Start**



**Figure 2-7 Front and Side View of the Gang Box**



**Figure 2-8 Gang Box**

**Note**

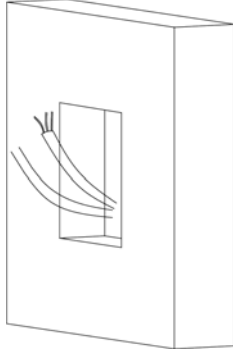
The dimension of one-module gang box is: 115 (W) × 134 (H) × 56 (D) mm. The dimension is for reference only.

**Steps**

1. Drill an installation hole, and pull the cables out.

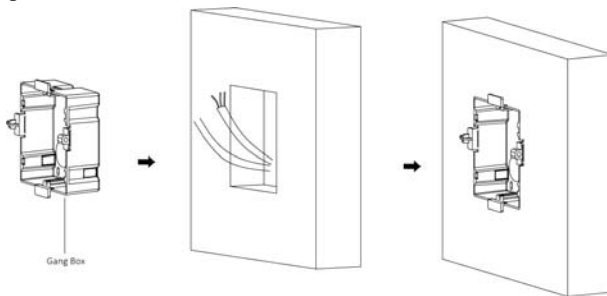
**Note**

- The suggested dimension of installation hole is 118 (W) × 108 (H) × 45.5 (D) mm.
- The suggested length of cables left outside is 100 mm.



**Figure 2-9 Drill Installation Hole**

2. Remove the plastic sheet of the cable entry.
3. Mark the gang box screw holes on the wall.
  - 1) Route the cables through the gang box hole.
  - 2) Insert the gang box into the installation hole.
  - 3) Mark the gang box screw holes' position with a marker, and take out the gang box.



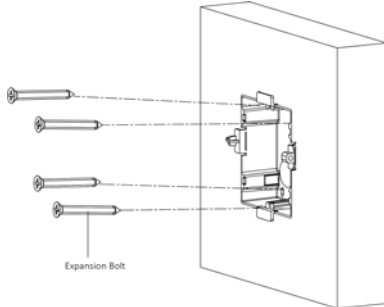
**Figure 2-10 Mark the Screw Holes**

4. Drill 4 holes according to marks on the wall, and insert the expansion sleeves into the screw holes.

 **Note**

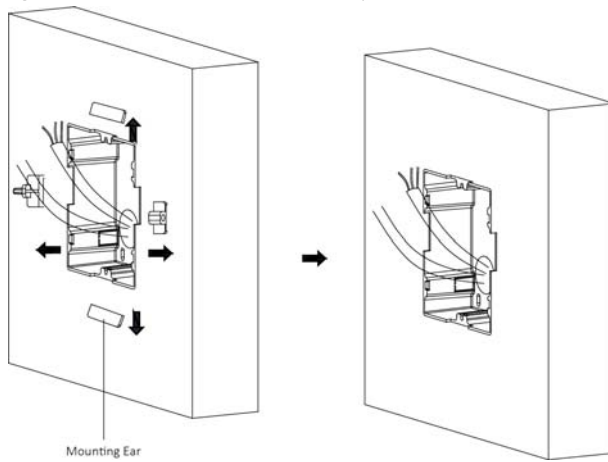
The suggested size of the hole is 6 (diameter) × 45 (depth) mm.

5. Route the cables through the gang box hole. Insert the gang box into the installation hole. Fix the gang box with 4 expansion bolts.



**Figure 2-11 Fix the Gang Box**

6. Fill the gap between the gang box and the wall with concrete. Remove the 4 mounting ears with tool after concrete is dry.



**Figure 2-12 Remove the Mounting Ears**

7. Connect the cables to the corresponding interfaces of the main unit and insert the unit into the gang box.

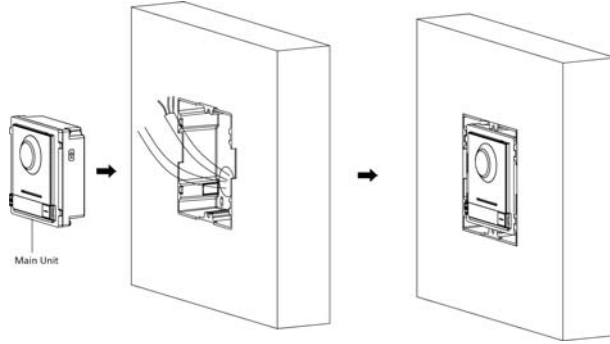


Figure 2-13 Insert the Main Unit

8. Fix the cover and the main unit with 2 socket head cap screws by using a hexagon wrench (supplied).

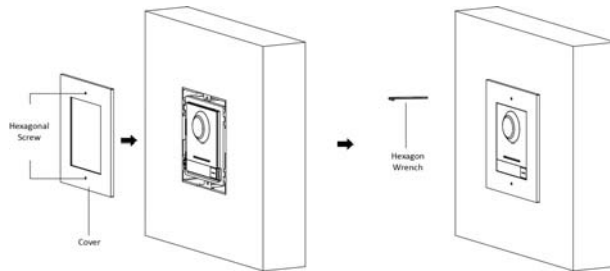
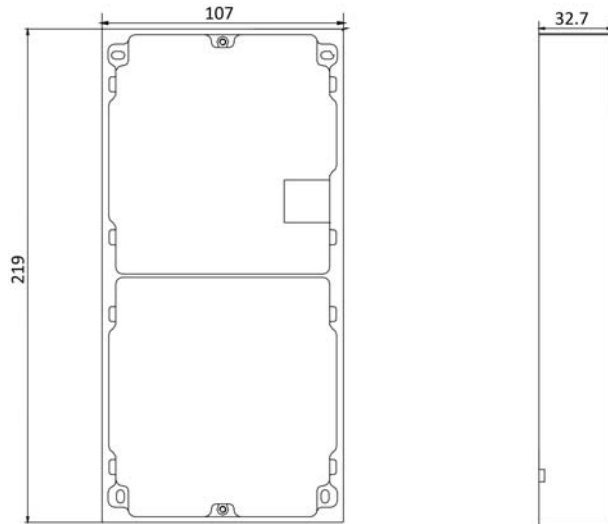


Figure 2-14 Fix the Cover

## 2.3 Two-Module Installation

### 2.3.1 Two-Module Surface Mounting

### Before You Start



**Figure 2-15 Mounting Frame**

---

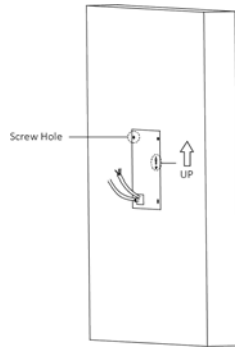
#### Note

- The dimension of two-module mounting frame (W × H × D) is: 219 mm × 107 mm × 32.7 mm.
- The dimensions above are for reference only. The actual size can be slightly different from the theoretical dimension.

---

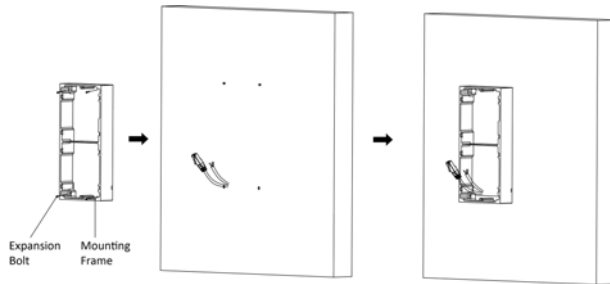
#### Steps

1. Paste the installation Sticker 1 onto the wall. Make sure the sticker is placed horizontally via measuring with the gradienter.
2. Drill 4 holes according to the screw holes on the sticker. The suggested size of hole is 6 (diameter) × 25 (depth) mm. The suggested length of cables left outside is 270 mm.



**Figure 2-16 Drill Screw Holes**

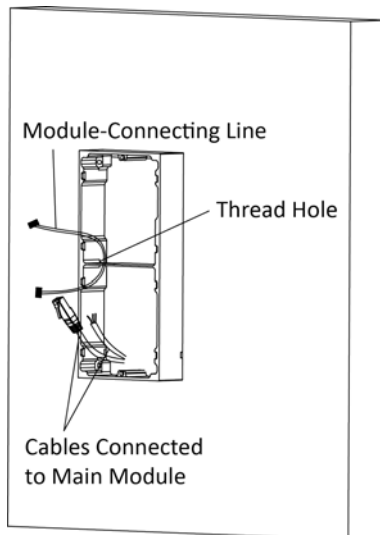
3. Remove the sticker and insert the expansion sleeves into the screw holes.
4. Fix the mounting frame onto the wall with 4 expansion bolts.



**Figure 2-17 Fix the Mounting Frame**

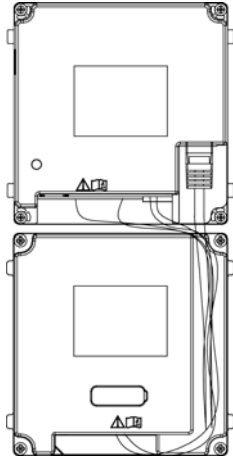
5. Thread the module-connecting line across the thread hole of the frame. Pass the main unit connecting lines across the thread hole to the upper grid.





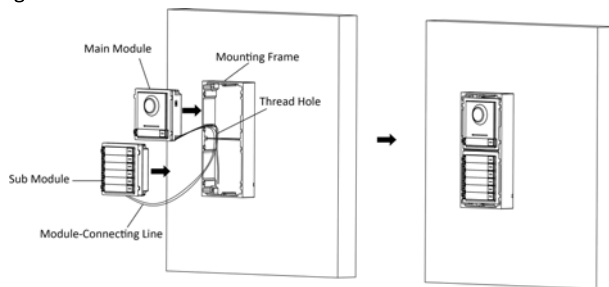
**Figure 2-18 Placement of Lines**

6. Connect the cables.
  - 1) Connect the lines and module-connecting line to the corresponding interfaces of the main unit, then place the main unit into the upper grid.
  - 2) Connect the other end of the module-connecting line to the input interface of the sub module.
  - 3) Organize the cable with cable tie in the package. The suggested cable connection picture as shown below.



**Figure 2-19 Line Connection Effect Picture**

7. Insert the modules into the frame after wiring. The main unit must be placed in the top grid.



**Figure 2-20 Insert the Modules**

8. Use the hexagon wrench in the package to fix the cover onto the frame.

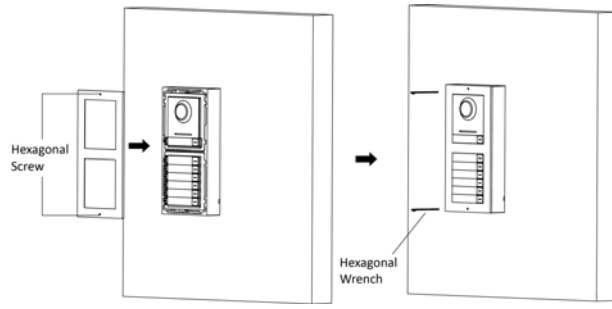


Figure 2-21 Fix the Cover

### 2.3.2 Two-Module Flush Mounting

#### Before You Start

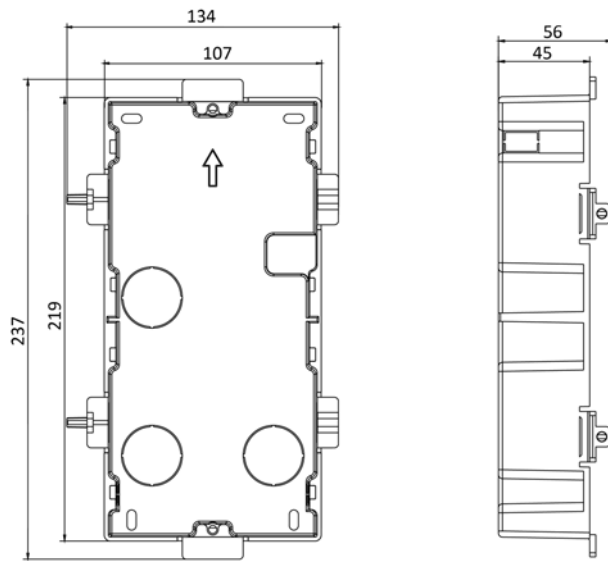


Figure 2-22 Gang Box

 **Note**

The dimension of two-module gang box is: 237 (W) × 134 (H) × 56 (D) mm. The dimension is for reference only.

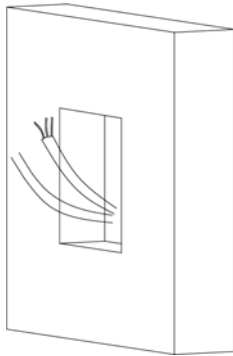
---

**Steps**

1. Drill the installation hole, and pull the cable out.

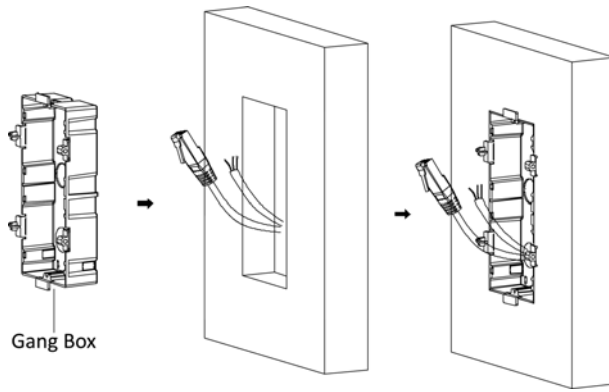
 **Note**

- The suggested dimension of installation hole is 220 (W) × 108 (H) × 45.5 (D) mm.
  - The suggested length of cables left outside is 270 mm.
- 



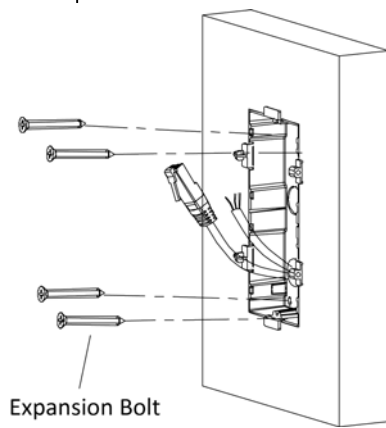
**Figure 2-23 Drill the Installation Hole**

2. Select a cable entry and remove the plastic sheet.
3. Mark the gang box screw holes on the hole.
  - 1) Route the cables through the gang box hole.
  - 2) Insert the gang box into the installation hole.
  - 3) Mark the gang box screw holes' position with a marker, and take out the gang box.



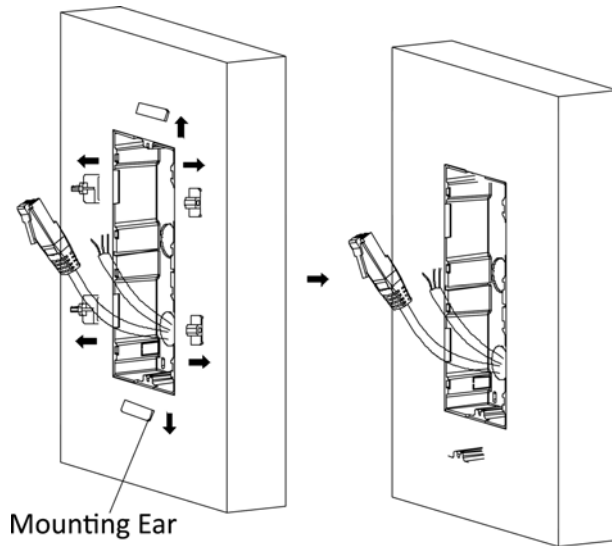
**Figure 2-24 Mark the Screw Holes**

4. Drill 4 holes according to the marks on the wall, and insert the expansion sleeves into the screw holes. The suggested size of hole is 6 (diameter) × 45 (depth) mm.
5. Fix the gang box with 4 expansion bolts.



**Figure 2-25 Fix the Gang Box**

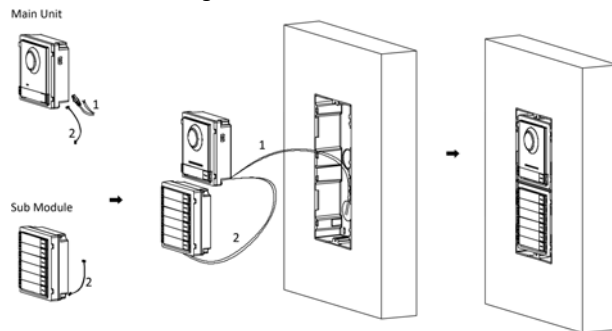
6. Fill the gap between the gang box and the wall with concrete. Remove the mounting ears with tool after concrete is dry.



**Figure 2-26 Remove the Mounting Ears**

**7. Connect cables and insert the modules.**

- 1) Connect Cable 1 and one end of Cable 2 to the corresponding interfaces of the main unit, then insert the main unit into the upper grid.
- 2) Connect the other end of Cable 2 to the input interface of the sub module. Insert it into the lower grid.



**Figure 2-27 Connect Cables and Insert the Modules**

**Note**

Cable 1 refers to the cables pulled out from the wall that connected to the main unit. Cable 2 refers to the module-connecting line in the accessory package.

8. Fix the cover with 2 socket head cap screws by using a hexagon wrench (supplied).

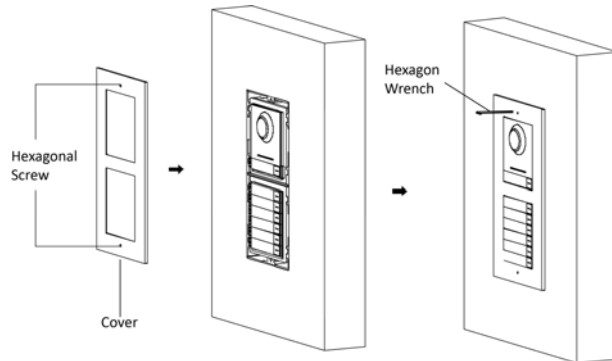


Figure 2-28 Fix the Cover

## 2.4 Three-Module Installation

### 2.4.1 Three-Module Surface Installation

#### Before You Start

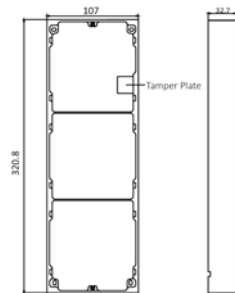


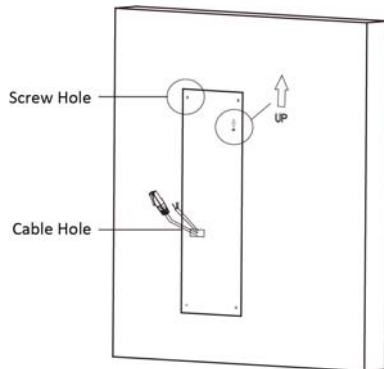
Figure 2-29 Mounting Frame

 **Note**

- The dimension of two-module mounting frame (W × H × D) is: 320.8 mm × 107 mm × 32.7 mm.
- The dimensions above are for reference only. The actual size can be slightly different from the theoretical dimension.

**Steps**

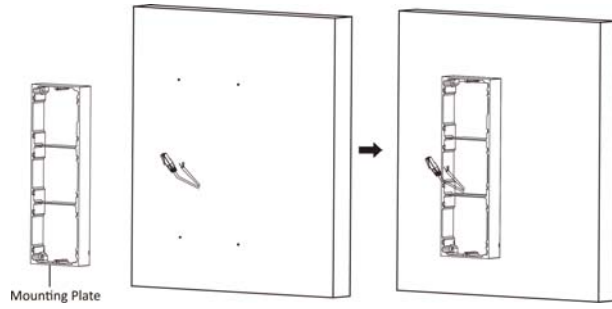
1. Paste the installation sticker 1 onto the wall. Make sure the sticker is placed horizontally via measuring with the gradienter.
2. Drill 4 holes according to the screw holes on the sticker. The suggested size of hole is 6 (diameter) × 25 (depth) mm. The suggested length of cables left outside is 270 mm.



**Figure 2-30 Drill Screw Holes**

3. Remove the sticker and insert the expansion sleeves into the screw holes.
4. Fix the mounting frame onto the wall with 4 expansion bolts.



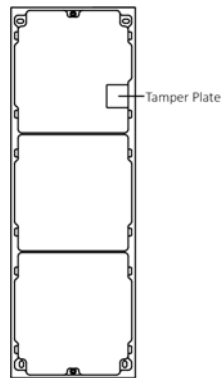


**Figure 2-31 Fix the Mounting Frame**

---

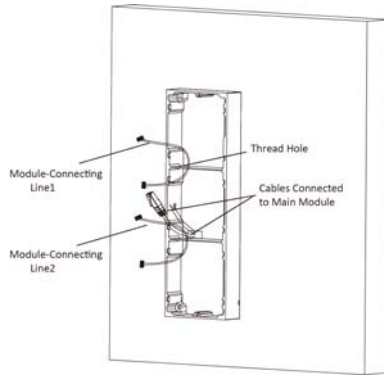
**Note**

The mounting frame should be placed exactly as shown below for this step. The tamper plate should be at the low right of the first grid.



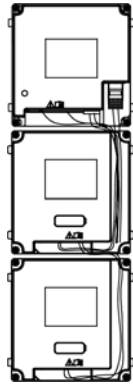
**Figure 2-32 Mounting Frame**

- 
5. Thread the module-connecting line across the thread holes of the frame. Pass the main unit connecting line across the thread hole to the top grid.



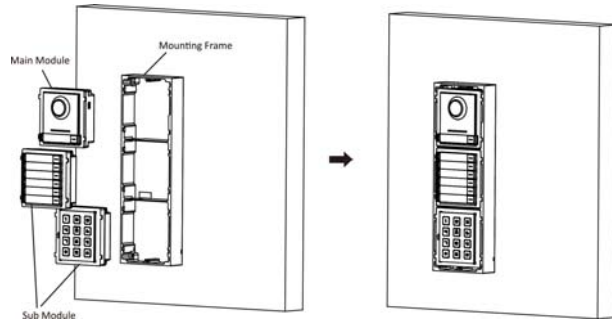
**Figure 2-33 Placement of Lines**

6. Connect the cables.
  - 1) Connect the lines and module-connecting line 1 to the corresponding interfaces of the main unit, then place the main unit into the upper grid.
  - 2) Connect the other end of the module-connecting line 1 to the input interface of the sub module. Connect two sub modules via module-connecting line 2.
  - 3) Organize the cables with cable tie in the package. The suggested cable connection picture as shown below.



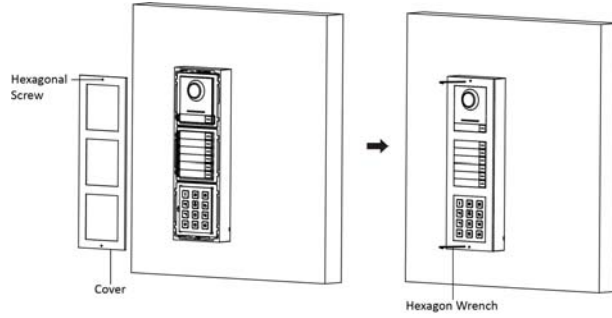
**Figure 2-34 Line Connection Effect Picture**

7. Insert the modules into the frame after wiring. The main unit must be placed in the top grid.



**Figure 2-35 Insert the Modules into the Frame**

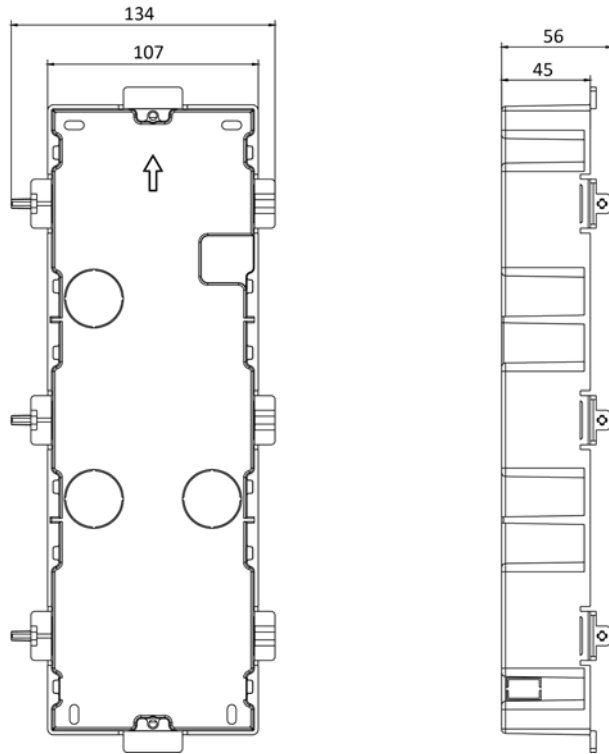
8. Use the hexagon wrench in the package to fix the cover onto the frame.



**Figure 2-36 Fix the Cover**

### 2.4.2 Three-Module Flush Mounting

**Before You Start**



**Figure 2-37 Gang Box**

---

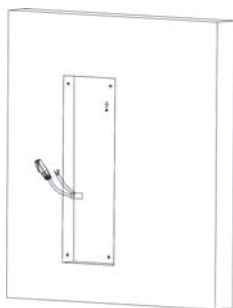
**Note**

- The dimension of one-module gang box is: 338.8(W)×134(H)×56(D) mm.
- The dimensions above are for reference only. The actual size can be slightly different from the theoretical dimension.

---

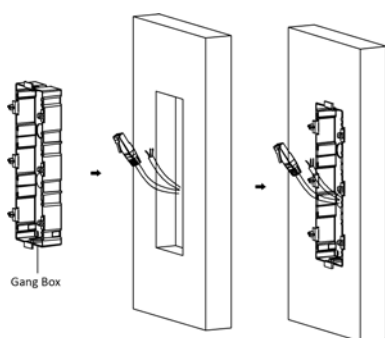
**Steps**

1. Cave the installation hole, and pull the cable out. The suggested dimension of installation hole is 321.8(W)×108(H)×45.5(D) mm. The suggested length of cables left outside is 270 mm.



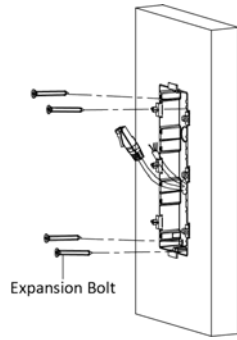
**Figure 2-38 Cave the Installation Hole**

2. Select a cable entry and remove the plastic sheet.
3. Mark the gang box screw holes on the wall.
  - 1) Route the cables through the gang box hole.
  - 2) Insert the gang box into the installation hole.
  - 3) Mark the gang box screw holes' position with a marker, and take out the gang box.



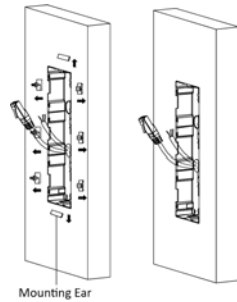
**Figure 2-39 Mark the Screw Holes**

4. Drill 4 holes according to marks on the wall, and insert the expansion sleeves into the screw holes. The suggested size of hole is 6 (diameter) × 45 (depth) mm.
5. Fix the gang box with 4 expansion bolts.



**Figure 2-40 Fix the Gang Box**

6. Fill the gap between the gang box and wall with concrete. Remove the mounting ears with tool after concrete is dry.



**Figure 2-41 Remove the Mounting Ears**

7. Connect cables and insert the modules.
  - 1) Connect Cable 1 and one end of Cable 2 to the corresponding interfaces of the main unit, then insert the main unit into the upper grid.
  - 2) Connect the other end of Cable 2 to the input interface of Sub Module 1. Connect one end of Cable 3 to the output interface of Sub Module 1 and insert it into the middle grid.
  - 3) Connect the other end of Cable 3 to the input interface of Sub Module 2. Insert it into the bottom grid.

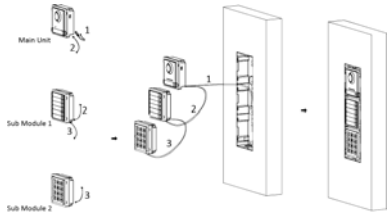


Figure 2-42 Connect Cables and Insert Modules

**Note**

Cable 1 refers to the cables pulled out from the wall that connected to the main unit. Cable 2 and Cable 3 refer to the module-connecting line in the accessory package.

8. Fix the cover and the main unit with 2 socket head cap screws by using a hexagon wrench (supplied).

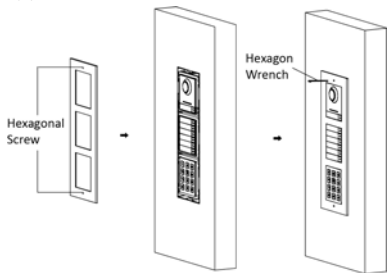
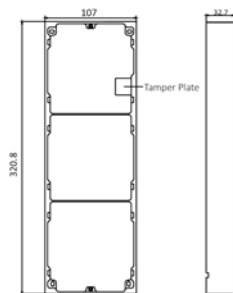


Figure 2-43 Fix the Cover

## 2.5 More-Than-Three Module Installation

### 2.5.1 More-than-Three Module Surface Mounting

### Before You Start



**Figure 2-44 Mounting Frame**

---

#### Note

- It takes two three-module mounting frames. The dimension of three-module mounting frame (W × H × D) is: 320.8 mm × 107 mm × 32.7 mm.
- The dimensions above are for reference only. The actual size can be slightly different from the theoretical dimension.

---

#### Steps

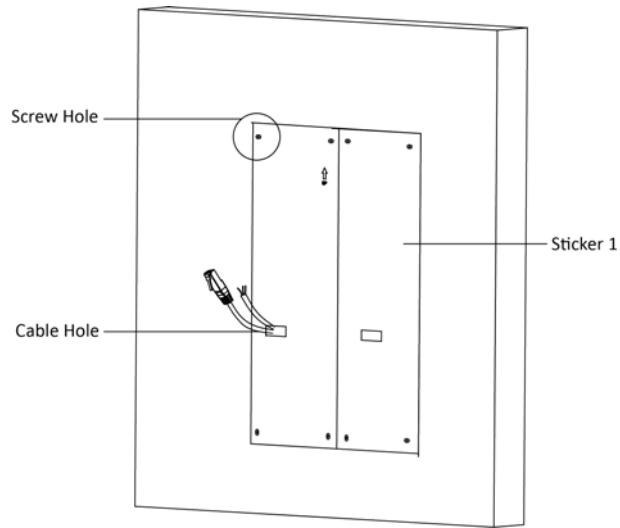
1. Paste two Sticker 1 onto the wall. Make sure the stickers are placed horizontally via measuring with the gradienter.
2. Drill 8 holes according to the screw holes on the sticker.

---

#### Note

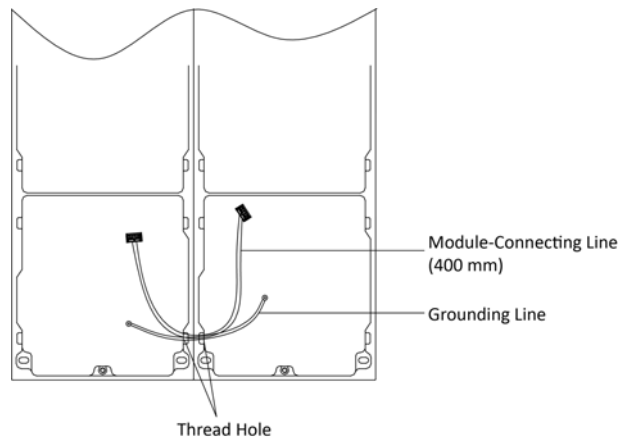
- The suggested size of hole is 6 (diameter) × 25 (depth) mm.
  - The suggested length of cables left outside is 270 mm.
- 
3. Pull out the cable through the cable hole of the left sticker.





**Figure 2-45 Drill Screw Holes**

4. Remove the stickers and insert the expansion sleeves into the screw holes.
5. Thread the module-connecting line (400 mm) and grounding line across the thread hole of both frames.

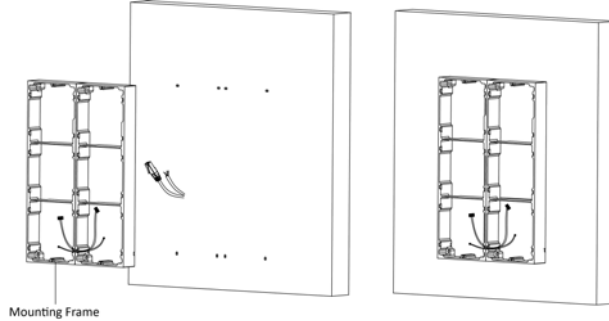


**Figure 2-46 Place the Grounding Line and Module-Connecting Line**

**Note**

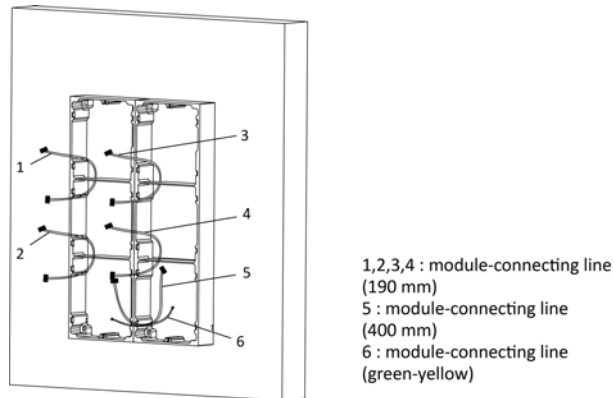
- There are 6 module-connecting lines in the package: 190 mm × 4 and 400 mm × 2.
- Take the 400 mm module-connecting line for this step.
- The green-yellow line in the package is for grounding.

6. Fix the mounting frame onto the wall with 8 expansion bolts.



**Figure 2-47 Fix the Mounting Frame**

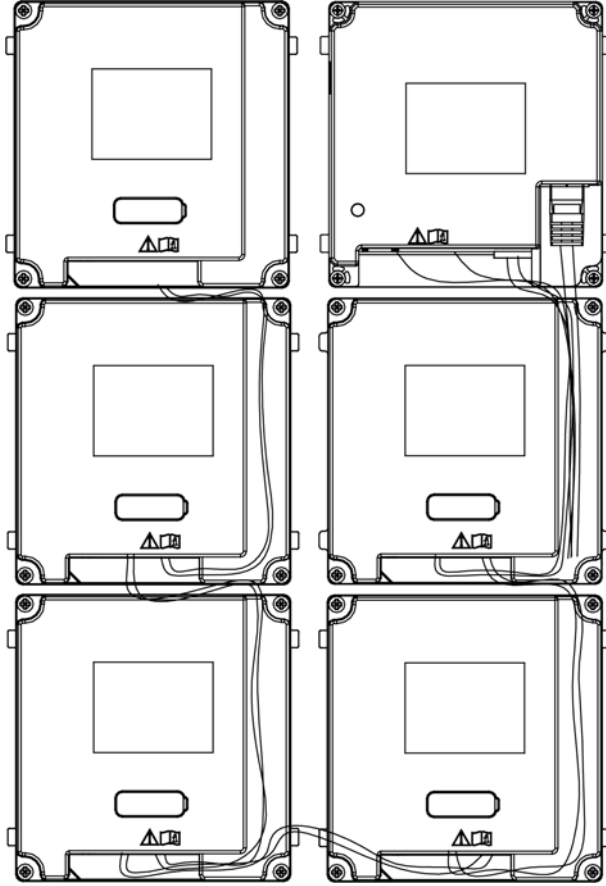
7. Pass the main unit connecting line across the thread hole to the top grid of the left frame. Thread the module-connecting line (190 mm) across the thread hole of the frame. The lines should be placed as shown below.



**Figure 2-48 Placement of Lines**

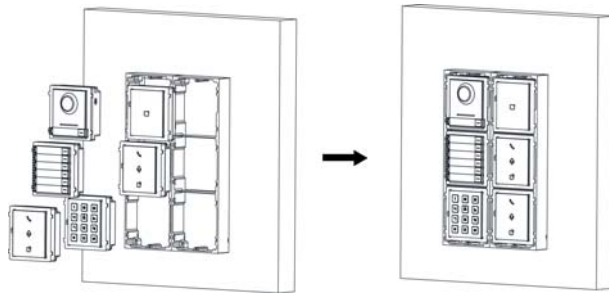
8. Connect the cables.

- 1) Connect the cables from the wall and module-connecting line 1 to the corresponding interfaces of the main unit, then place the main unit into the upper grid.
- 2) Connect the other end of the module-connecting line 1 to the input interface of the sub module. Connect all sub modules via module-connecting lines.
- 3) Organize the cable with cable tie in the package. The suggested cable connection picture as shown below.



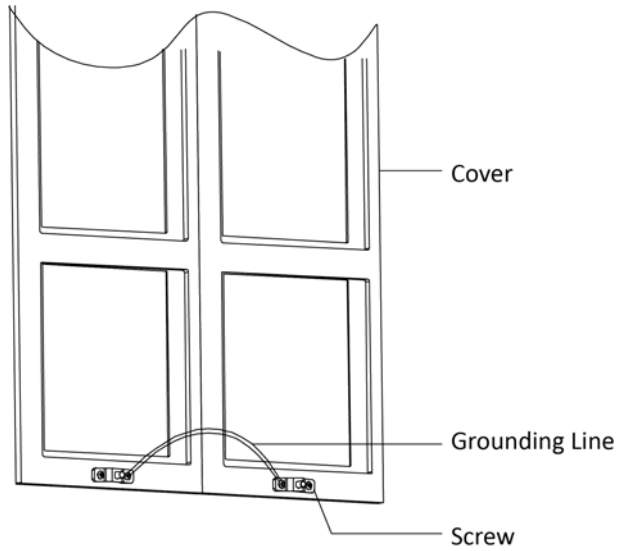
**Figure 2-49 Line Connection Effect Picture**

9. Insert the modules into the frame after wiring. The main unit must be placed in the top grid on the left.



**Figure 2-50 Insert the Modules**

10. Pull the grounding line out and fixed its two end to the screw on the cover.



**Figure 2-51 Connect the Grounding Line to the Cover**

11. Use the hexagon wrench in the package to fix the cover onto the frame.

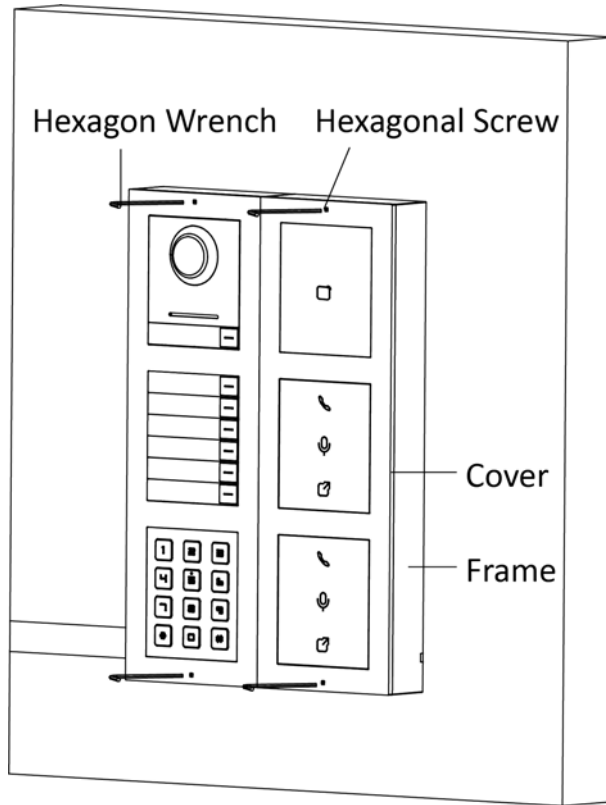
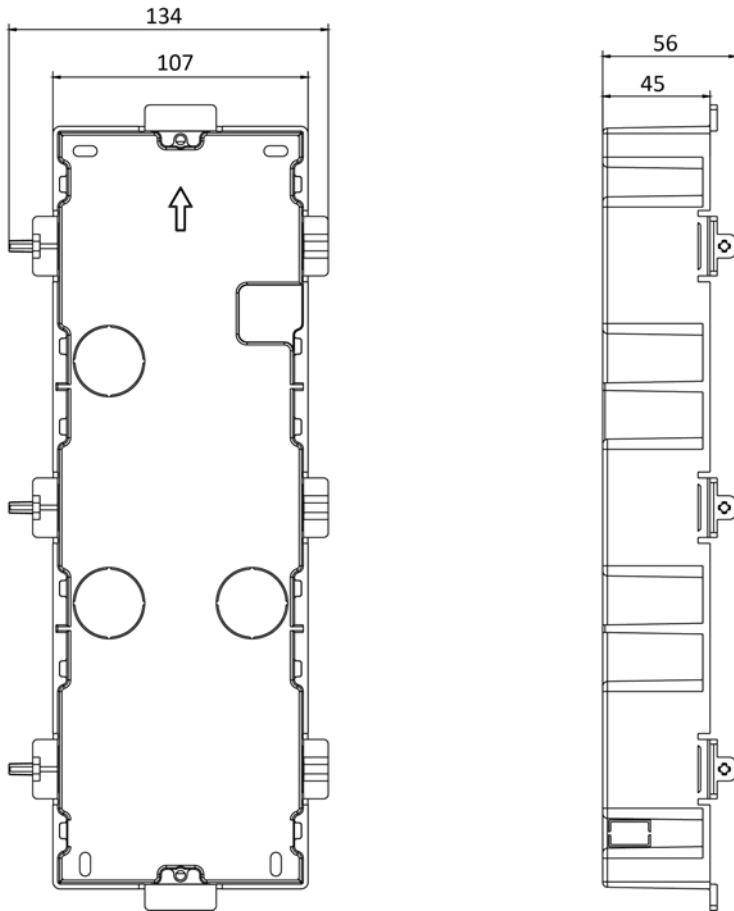


Figure 2-52 Fix the Cover

### 2.5.2 More-Than-Three Module Flush Mounting

**Before You Start**



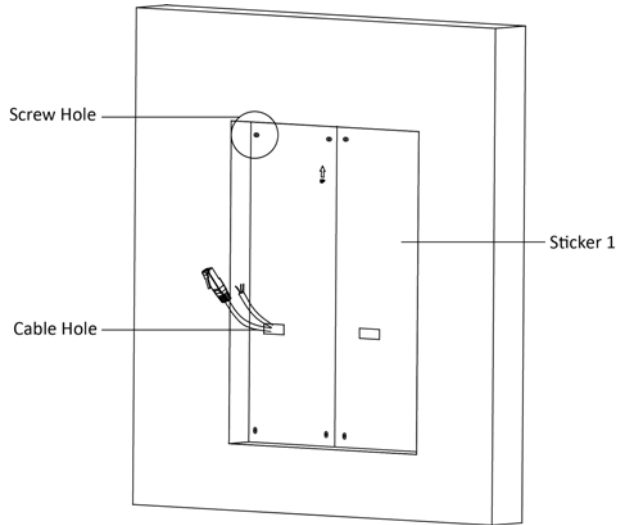
**Figure 2-53 Gang Box**

**Note**

It takes two three-module gang boxes. The dimension of the gang box is: 338.8 (W) × 134 (H) × 56 (D) mm. The dimension is for reference only.

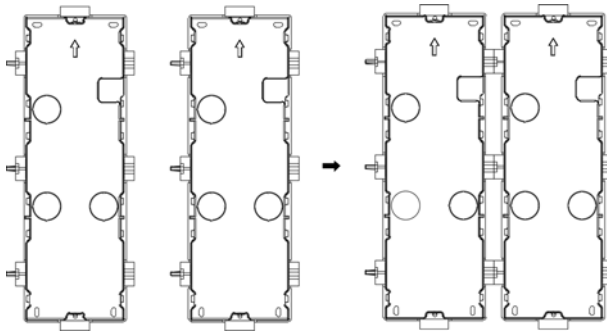
**Steps**

1. Drill the installation hole, and pull the cable out. The suggested dimension of installation hole is 321.8 (W) × 315 (H) × 45.5 (D) mm. The suggested length of cables left outside is 270 mm.



**Figure 2-54 Cave the Installation Hole**

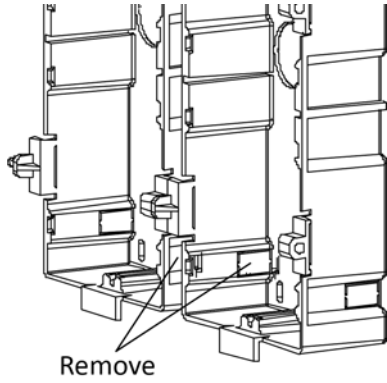
2. Connect two gang boxes as below.



**Figure 2-55 Connect Two Gang Boxes**

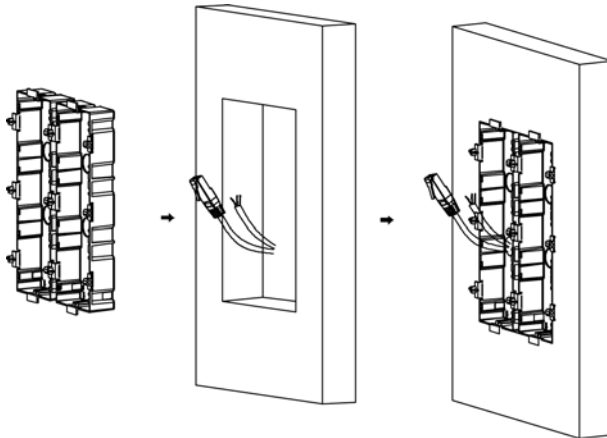
3. Select a cable entry and remove the plastic sheet.

4. Remove the plastic sheets on the side of the gang boxes (shown as 1 and 2) below:



**Figure 2-56 Remove the Plastic Sheets**

5. Mark the gang box screw holes on the wall.
  - 1) Route the cables through the gang box hole.
  - 2) Insert the gang box into the installation hole.
  - 3) Mark the gang box screw holes' position with a marker, and take out the gang box.



**Figure 2-57 Mark the Screw Holes**



6. Drill 8 holes according to the marks on the wall, and insert the expansion sleeves into the screw holes. The suggested size of hole is 6 (diameter) × 45 (depth) mm.
7. Fix the gang boxes with 8 expansion bolts.

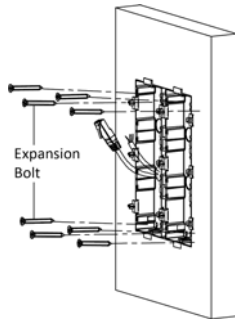


Figure 2-58 Fix the Gang Boxes

8. Fill the gap between the gang box and wall with concrete. Remove the mounting ears with tool after concrete is dry. Route the grounding line through the cable entries.

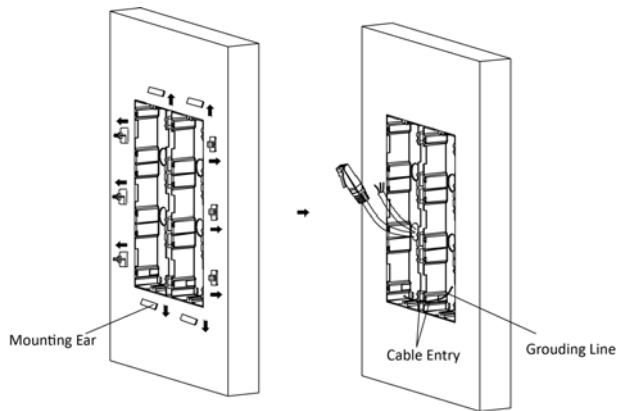


Figure 2-59 Remove the Mounting Ears

---

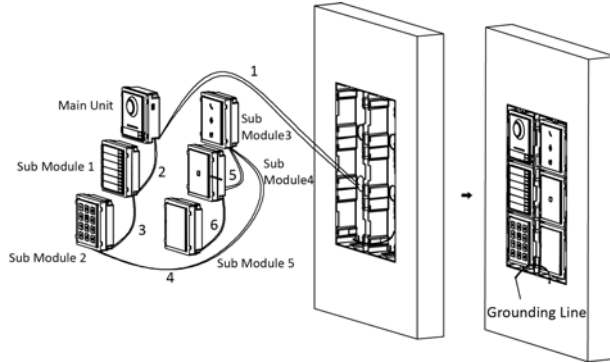
 **Note**

The green-yellow line in the package is for grounding.

---

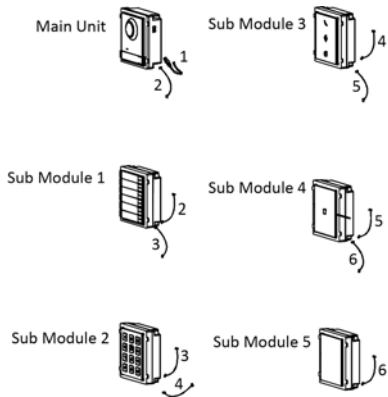
9. Connect cables and insert the modules.

- 1) Connect Cable 1 and one end of Cable 2 to the corresponding interfaces of the Main Unit, then place the Main Unit into the upper grid of the left gang box.
- 2) Connect the other end of Cable 2 to the input interface of Sub Module 1. Connect one end of Cable 3 to the output interface of Sub Module 1 and insert it into the middle grid of the left gang box.
- 3) Finish the wiring and inserting according to the cable number and the position shown as below.



**Figure 2-60 Install Mounting Frame**

The cables connect to each module shown as below.

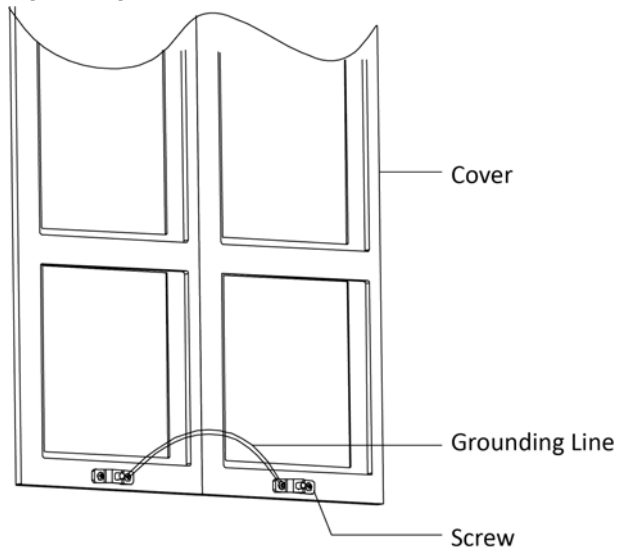


**Figure 2-61 Cables Connection**

 **Note**

- Cable 2,3,5 and 6 are the module-connecting lines (190 mm) in the package.
  - Cable 4 is the module-connecting line (400 mm) in the package.
  - Main unit must be put in the top grid.
- 

10. Pull the grounding line out and fixed its two end to the screw on the cover.



**Figure 2-62 Connect the Grounding Line to the Cover**

11. Fix the cover with 2 socket head cap screws by using a hexagon wrench (supplied).

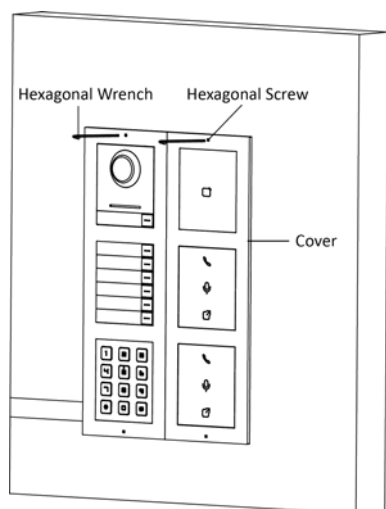


Figure 2-63 Fix the Cover

## 3 Activation

### 3.1 Activate Device via Web

You are required to activate the device first by setting a strong password for it before you can use the device.

Default parameters of the door station are as follows:

- Default IP Address: 192.0.0.65.
- Default Port No.: 8000.
- Default User Name: admin

#### Steps

1. Power on the device, and connect the device to the network.
2. Enter the IP address into the address bar of the web browser, and click **Enter** to enter the activation page.

---

#### **Note**

The computer and the device should belong to the same subnet.

---

3. Create and enter a password into the password field.
4. Confirm the password.
5. Click **OK** to activate the device.

### 3.2 Activate Device via Client Software

You can only configure and operate the door station after creating a password for the device activation.

Default parameters of door station are as follows:

- Default IP Address: 192.0.0.65.
- Default Port No.: 8000.
- Default User Name: admin.

#### Steps

1. Run the client software, click **Maintenance and Management → Device Management → Device** to enter the page.
2. Click **Online Device**.

3. Select an inactivated device and click **Activate**.
4. Create a password, and confirm the password.

---

 **Note**

We highly recommend you to create a strong password of your own choosing (using a minimum of 8 characters, including at least three kinds of following categories: upper case letters, lower case letters, numbers, and special characters) in order to increase the security of your product. And we recommend you change your password regularly, especially in the high security system, changing the password monthly or weekly can better protect your product.

---

5. Click **OK** to activate the device.

---

 **Note**

- When the device is not activated, the basic operation and remote operation of device cannot be performed.
  - You can hold the **Ctrl** or **Shift** key to select multiple devices in the online devices, and click the **Activate** button to activate devices in batch.
- 

### 3.3 Edit Network Parameters

To operate and configure the device via LAN (Local Area Network), you need connect the device in the same subnet with your PC. You can edit network parameters via **iVMS-4200** client software.

#### Steps

1. Select an online activated device and click the **Modify Netinfo**.
2. Edit the device IP address and gateway address to the same subnet with your computer.
3. Enter the password and click **OK** to save the network parameters modification.

---

 **Note**

- The default port No. is 8000.
  - The default IP address of the door station is 192.0.0.65.
  - After editing the network parameters of device, you should add the devices to the device list again.
-

## 4 Remote Configuration via Web

### 4.1 Live View

In the browser address bar, enter the IP address of the device, and press the Enter key to enter the login page.

Enter the user name and password and click **Login** to enter the Live View page. Or you can click **Live View** to enter the page.



Figure 4-1 Live View

- You can start/stop live view, capture, record, audio on/off, two-way audio, etc.
- The stream type can be set as main stream or sub stream.
- For IE (Internet Explorer) users, the device support two-way audio communication.

### 4.2 User Management

You can add, delete or search the information of the user.

Click **User** to enter the settings page.

- Click **Add** and enter the **Name**, **Floor No.** and **Room No.** to add.
- Click **Edit** to modify the information of the user.
- Check the box of the user and click **Delete** to delete the selected user.
- Enter the keyword and click search icon. The information will display in the list.

 **Note**

User management function may vary with different models. Please refer to the actual product.

---

## 4.3 Number Settings

Link the room No. and SIP numbers.

Click **Number Settings** to enter the page.

Click **Add**, set the **Room No.** and SIP numbers in the pop-up dialog box.

## 4.4 Device Management

You can manage the linked device on the page.

Click **Device List** to enter the settings page.

### Add Device

- Click **Add** to add the indoor station or sub door station. Enter the parameters and click **OK** to add.
- Click **Import**. Enter the information of the device in the template to import devices in batch.

### Export

Click **Export** to export the information to the PC.

### Synchronize

Click **Synchronize** to synchronize the information.

## 4.5 Parameters Settings

Click **Configuration** to set the parameters of the device.

Remote configuration in iVMS-4200 and Batch Configuration Tool is the same as that in Web. Here takes the configuration in web for example.



 **Note**

Run the browser, click  → **Internet Options** → **Security** to disable the Protected Mode.

---

### 4.5.1 Local Parameters Settings

You can configure the parameters of the live view, record files and captured pictures. The record files and captured pictures are the ones you record and capture by using the web browser. You can also set and view the saving paths of the captured pictures and recorded videos on the PC that running the web browser.

#### Live View Parameters

##### Stream Type

Set the stream type as **Main Stream** or **Sub-stream**.

##### Play Performance

Set the live view performance to **Shortest Delay**, **Balanced** or **Fluent**.

##### Auto Start Live View

Check **Yes** to enable the function.

##### Image Format

Select the image format for picture capture.

Click **Save** to enable the settings.

#### Record File Parameters

##### Record File Size

Select the packed size of the manually recorded and downloaded video files to **256M**, **512M** or **1G**. After the selection, the maximum record file size is the value you selected.

##### Save record files to

Set the saving path for the manually recorded video files.

Click **Save** to enable the settings.

#### Picture and Clip Settings

##### Save snapshots in live view to

Set the saving path of the manually captured pictures in live view mode.

---

 **Note**

You can click **Browse** to change the directory for saving the clips and pictures, and click **Open** to open the set folder of clips and picture saving.

Click **Save** to enable the settings.

## 4.5.2 System Settings

Follow the instructions below to configure the system settings, include System Settings, Maintenance, Security, and User Management, etc.

Click **System** to enter the settings page.

### Basic Information

Click **System Settings** → **Basic Information** to enter the settings page. On the page, you can edit **Device Name** and **Device No.** Set the **Language** and **System Type** according to your needs.

Click **Save** to enable the settings.

### Time Settings

Click **System Settings** → **Time Settings** to enter the settings page. Select the **Time Zone** of your location from the drop-down list.

- Enable **NTP**, set the **Server Address**, **NTP Port** and **Interval**.
- Enable **Manual Time Sync.**, set the time manually or check the **Sync. with computer time**.

Click **Save** to enable the settings.

### DST

Click **System Settings** → **DST** to check **Enable DST**. Set the parameters according to your needs and click **Save** to enable the settings.

### Maintenance

Click **Maintenance** → **Upgrade & Maintenance** to enter the settings page.



**Figure 4-2 Maintenance**

- Reboot: Click **Reboot** to reboot the device.
- **Restore**  
Click **Restore** to reset all the parameters, except the IP parameters and user information, to the default settings.

**Default**

Click **Default** to restore all parameters to default settings.

- Export parameters:
  1. Select **Device Parameters**, and click **Export** to pop up the dialog box.
  2. Set and confirm the encryption password.
  3. Click **OK** to export parameters.
- Import Config. File:
  1. Click browse icon to select the configuration file.
  2. Click **Import** and enter the encryption password to import.
- Upgrade: Click browse icon to select the upgrade file.

 **Note**

The upgrading process will last 1 to 10 minutes, do not power off during the upgrading. The device reboots automatically after upgrading.

**Authentication**

Click **Security** → **Authentication** to enter the settings page. On the page, you can select **RTSP Authentication** according to your actual needs.

Click **Save** to enable the settings.

### Security Service

Click **Security** → **Security Service** to enter the settings page. On the page, you can enable SSH according to your actual needs.

Click **Save** to enable the settings.

### User Management

Click **User Management** to enter the settings page.

Administrator can edit the permission for the users.

#### Note

We highly recommend you to create a strong password of your own choosing (using a minimum of 8 characters, including at least three kinds of following categories: upper case letters, lower case letters, numbers, and special characters) in order to increase the security of your product. And we recommend you change your password regularly, especially in the high security system, changing the password monthly or weekly can better protect your product.

### Online Users

Click **User Management** → **Online Users** to enter the page.



No.	User Name	Level	User Operation Time
1	admin	Administrator	2020-02-27 16:43:23
2	admin	Administrator	2020-02-27 16:53:23

Total 2 items

**Figure 4-3 Online Users**

Click **Refresh** to get the present information.

### Arming/Disarming Information

Click **User Management** → **Arming/Disarming Information** to view the information. Click **Refresh** to get the present information.

### 4.5.3 Network Settings

#### TCP/IP Settings

TCP/IP settings must be properly configured before you operate the device over network. The device supports IPv4.

##### Steps

1. Click **Network** → **Basic Settings** → **TCP/IP** to enter the settings page.

DHCP

IPv4 Address

IPv4 Subnet Mask

IPv4 Default Gateway

Mac Address

MTU

Alarm Center IP

Alarm Host Port

**DNS Server**

Preferred DNS Server

Alternate DNS Server

**Save**

Figure 4-4 TCP/IP Settings

2. Configure the network parameters.
  - Check **DHCP**, the device will get the parameters automatically.
  - Set the **IPv4 Address**, **IPv4 Subnet Mask** and **IPv4 Default Gateway** manually.
3. Configure the corresponding DNS server parameters.

4. Click **Save** to enable the settings.

## Port Settings

### Steps

1. Click **Network** → **Basic Settings** → **Port** to enter the settings page.



The screenshot shows a settings page with four input fields, each with a label to its left and a value inside the field:

- HTTP Port: 80
- RTSP Port: 554
- HTTPS Port: 443
- Server Port: 8000

Below the input fields is a red rectangular button with the text "Save" in white.

**Figure 4-5 Port Settings**

2. Set the ports of the device.

#### HTTP Port

The default port number is 80, and it can be changed to any port No. which is not occupied.

#### HTTPS Port

The default port number is 443, and it can be changed to any port No. which is not occupied.

#### RTSP Port

The default port number is 554.

#### Server Port

The default server port number is 8000, and it can be changed to any port No. ranges from 2000 to 65535.

3. Click **Save** to enable the settings.

## Wi-Fi Settings

### Steps

1. Go to **Network** → **Basic Settings** → **Wi-Fi** to enter the settings page.
2. Enable **Wi-Fi**.

3. Click **Add**, and set corresponding parameters. and **Password** of the Wi-Fi.
  - 1) Enter the **SSID**.
  - 2) Select **Working Mode**.
  - 3) Select **Encryption Type**.
  - 4) Click **OK**.
  - 5) **Optional**: Click **Refresh** to get the present information.
4. Click **Network Settings**, and set corresponding parameters.
5. Select **Security Mode**.
6. Click **Connect**.

## SIP Setting

### Steps

1. Click **Network** → **Basic Settings** → **SIP** to enter the settings page.

Enable VOIP Gateway

Register User Name

Registration Password

Server Address

Server Port

Expiry Time  minute(s)

Register Status

Number

Display User Name

**STUN Settings**

STUN Server Domain N...

STUN Server Domain Port

**Save**

Figure 4-6 SIP Settings

2. Check **Enable VOIP Gateway**.
3. Configure the SIP parameters.
4. Click **Save** to enable the settings.

## FTP Settings

**Steps**

1. Click **Network** → **Advanced** → **FTP** to enter the settings page.

Enable FTP

Server Type

Server IP Address

Port

Enable Anonymous

User Name

Password

Directory Structure

Parent Directory

Child Directory

**Picture Naming Rules**

Delimiter

Named Item

Named Element

**Save**

**Figure 4-7 FTP Settings**

2. Check **Enable FTP**.
3. Select **Server Type**.
4. Input the **Server IP Address** and **Port**.
5. Configure the FTP Settings, and the user name and password are required for the server login.
6. Set the **Directory Structure**, **Parent Directory** and **Child Directory**.



7. Set the picture naming rules.
8. Click **Save** to enable the settings.

## Platform Access

Platform access provides you an option to manage the devices via platform.

### Steps

1. Click **Network** → **Advanced Settings** → **Platform Access** to enter the settings page.
2. Check the checkbox of **Enable** to enable the function.
3. Select the **Platform Access Mode**.

---

#### **Note**

Hik-Connect is an application for mobile devices. With the App, you can view live image of the device, receive alarm notification and so on.

---

4. Create a **Stream Encryption/Encryption** for the device.

---

#### **Note**

6 to 12 letters (a to z, A to Z) or numbers (0 to 9), case sensitive. You are recommended to use a combination of no less than 8 letters or numbers.

---

5. Click **Save** to enable the settings.

## 4.5.4 Video & Audio Settings

### Video Parameters

#### Steps

1. Click **Video/Audio** → **Video** to enter the settings page.

Stream Type	Main Stream	▼
Video Type	Video&Audio	▼
Resolution	1920*1080P	▼
Bitrate Type	Variable	▼
Video Quality	Medium	▼
Frame Rate	25	▼ fps
Max. Bitrate	2048	Kbps
Video Encoding	H.264	▼
Profile		
I Frame Interval	50	

**Save**

**Figure 4-8 Video Parameters**

2. Select the **Stream Type**.
3. Configure the video parameters.

**Stream Type**

Select the stream type to main stream or sub stream.

**Video Type**

Select the stream type to video stream, or video & audio composite stream. The audio signal will be recorded only when the **Video Type** is **Video & Audio**.

**Resolution**

Select the resolution of the video output.

**Bitrate Type**

Select the bitrate type to constant or variable.

**Video Quality**

When bitrate type is selected as Variable, 6 levels of video quality are selectable.

**Frame Rate**

Set the frame rate. The frame rate is to describe the frequency at which the video stream is updated and it is measured by frames per second (fps). A higher frame rate is advantageous when there is movement in the video stream, as it maintains image quality throughout.

**Max. Bitrate**

Set the max. bitrate from 32 to 16384 Kbps. The higher value corresponds to the higher video quality, but the better bandwidth is required.

**Video Encoding**

The device supports H.264.

**I Frame Interval**

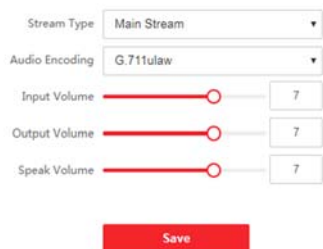
Set I Frame Interval from 1 to 400.

4. Click **Save** to save the settings.

**Audio Parameters**

**Steps**

1. Click **Video/Audio** → **Audio** to enter the settings page.



**Figure 4-9 Audio Settings**

2. Configure the stream type and the audio encoding type.

**Stream Type**

Select the stream type to main stream or sub stream.

**Audio Encoding**

The device support G.711ulaw and G.711 alaw.

3. Adjust the **Input Volume**, **Output Volume** and **Speak Volume**.

---

 **Note**

Available range of volume: 0 to 10.

---

4. Click **Save** to save the settings.

## 4.5.5 Image Settings

### Display Settings

Configure the image adjustment, backlight settings and other parameters in display settings.

#### Steps

1. Click **Image** → **Display Settings** to enter the display settings page.

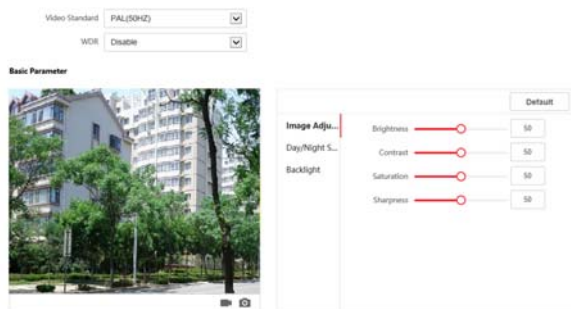


Figure 4-10 Display Settings

2. Select the **Format**.
3. Set the display parameters.

#### WDR

Wide Dynamic Range can be used when there is a high contrast of the bright area and the dark area of the scene.

#### Brightness

Brightness describes bright of the image, which ranges from 1 to 100.

#### Contrast

Contrast describes the contrast of the image, which ranges from 1 to 100.

#### Saturation

Saturation describes the colorfulness of the image color, which ranges from 1 to 100.

#### Sharpness

Sharpness describes the edge contrast of the image, which ranges from 1 to 100.

---

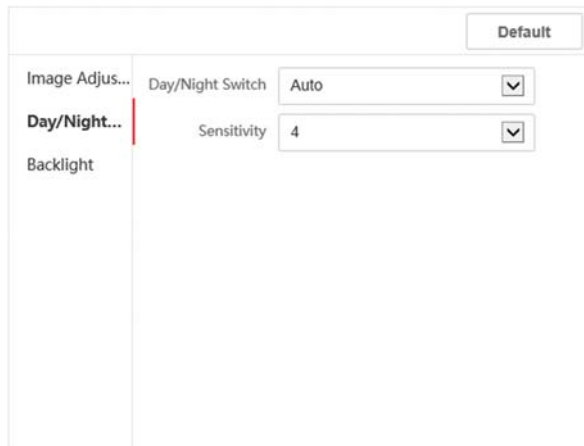
**4. Set the Day/Night Mode.**

Image Adjus...	Day/Night Switch	Auto
Day/Night...	Sensitivity	4
Backlight		

**Figure 4-11 Day/Night Mode**

- Set **Day Mode** or **Night Mode** manually.
- Set the mode as **Auto** and edit the sensitivity according to your needs.
- Set the mode as **Scheduled-Switch**. Set the start time and end time.

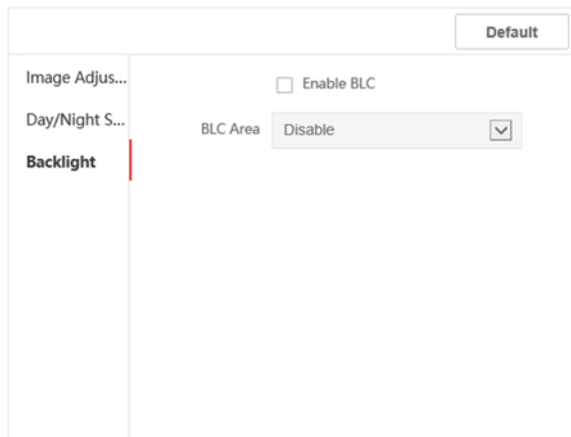
---

**Note**

Daytime is from configured start time to configured time. The rest of the time is set as night by default.

---

**5. Set the backlight parameters.**



**Figure 4-12 Backlight**

- 1) Check the checkbox to enable BLC.
- 2) Select **BLC Area**.
6. Click **Save** to enable the settings.

### **OSD Settings**



You can customize the camera name, time/date format, display mode, and OSD size displayed on the live view.

#### **Steps**

1. Click **Image** → **OSD Settings** to enter the settings page.
2. Check the corresponding checkbox to select the display of camera name, date or week if required.
3. Edit the **Camera Name**.
4. Select from the drop-down list to set the **Time Format** and **Date Format**.
5. Adjust the OSD position.
6. Click **Save** to enable the settings.

### **Target Cropping**

**Steps**

1. Click **Image**.
2. Enable target cropping.
3. Click "  " to crop photo.
4. Click "  " to crop video.
5. Select **Cropping Resolution**.
6. Click **Save**.

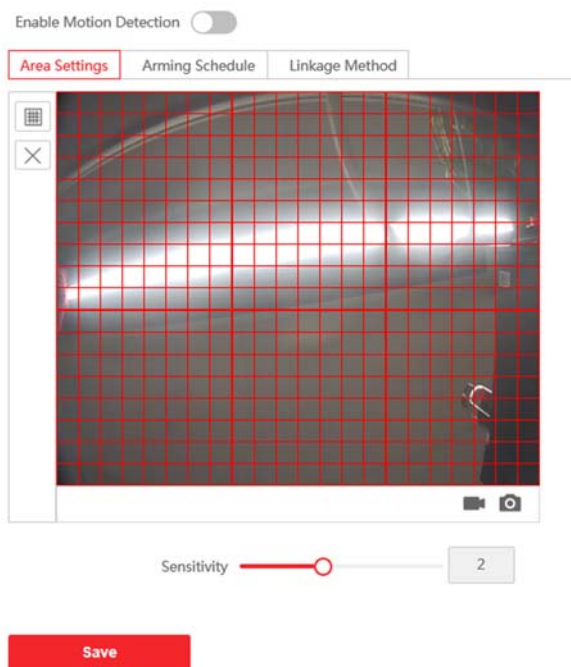
#### **4.5.6 Event Settings**

##### **Motion Detection**

Motion detection detects the moving objects in the configured surveillance area, and a series of actions can be taken when the alarm is triggered.

**Steps**

1. Click **Event** → **Motion** to enter the settings page.



**Figure 4-13 Motion Detection**

2. Check **Enable Motion Detection** to enable the function.
3. Click **Draw Area**. Click and drag the mouse on the live video to draw a motion detection area. Click **Stop Drawing** to finish drawing one area. Click **Save** to save the settings.
  - Clear Area**      Click **Clear All** to clear all of the areas.
  - Adjust Sensitivity**      Move the slider to set the sensitivity of the detection.
4. Click **Arming Schedule** to edit the arming schedule.
5. Click on the time bar and drag the mouse to select the time period. Click **Save** to save the settings.
  - Delete Schedule**      Click **Delete** to delete the current arming schedule.
6. Click **Linkage Method** to enable the linkages.
  - Notify Surveillance Center**



Send an exception or alarm signal to the remote management software when an event occurs.

7. Click **Save** to enable the settings.

## Event Linkage

### Steps

1. Click **Event** → **Basic Event** → **Event Linkage** to enter the settings page.

Major Type

Minor Type

- Normal Linkage
- Notify Surveillance Center

**Save**

Figure 4-14 Event Linkage

2. Select the **Major Type** as **Device Event** or **Door Event**.

3. Select the type of the **Normal Linkage** for the event.
4. Click **Save** to enable the settings.

#### 4.5.7 Schedule Settings

You can create call schedule, or else the device will call indoor station all day by default.

##### Steps

1. Click **Schedule** → **Video Intercom** .
2. Click the next row below **Enable Indoor Station All Day by Default**.
3. Enter **Schedule Name**.
4. Select **Call Type**.
5. Set **Weekly Schedule**.
  - 1) Click **Weekly Schedule**.
  - 2) Drag mouse to set the schedule according to the actual needs.
  - 3) **Optional:** Click the copy icon to copy the schedule to other days according to the actual needs.
  - 4) Click **Save**.
6. Set **Holiday Schedule**.
  - 1) Click **Holiday Schedule**.
  - 2) Click **Add**.
  - 3) Set **Start Time** and **End Time**.
  - 4) Select **Call Type**.
  - 5) Drag mouse to set the schedule according to the actual needs.
  - 6) Click **OK**.
  - 7) You can edit or delete the schedule according to the actual needs.
  - 8) Click **Save**.



##### Note

The holiday schedule have higher priority than weekly schedule when you set the two schedule at the same time.

---

#### 4.5.8 Intercom Settings

## Device ID Configuration

### Steps

1. Click **Device ID Settings** to enter the page.

Device Type	Door Station
Period No.	1
Building No.	1
Unit No.	1
Floor No.	1
Door Station No.	0
Community No.	0

Save

**Figure 4-15 Device ID Settings**

2. Select the device type from the drop-down list, and set the corresponding information.
3. Click **Save** to enable the device number configuration.

### Note

- For main door station (D series or V series), the serial No. is 0.
- For sub door station (D series or V series), the serial No. cannot be 0. Serial No. ranges from 1 to 99.
- For each villa or building, at least one main door station (D series or V series) should be configured, and one sub door stations (D series or V series) can be customized.
- For one main door station (D series or V series), up to 8 sub door stations can be configured.

## Linked Network Settings

### Steps

1. Go to **Intercom** → **Session Settings** to enter the settings page.
2. Set **Register Number** and **Registration Password**.
3. Set **Main Station IP** and **VideoIntercom Server IP**.

4. Enable Protocol 1.0.
5. Click **Save** to enable the settings.

### Time Parameters

Go to **Intercom** → **Time Parameters** to enter the page.

Configure **Max. Call Duration**, **Max. Message Duration**, **Max. Ring Duration**, and click **Save**.

### Ring-Back Tone Settings

Click **Intercom** → **Ringbacktone Settings** to enter the settings page.

Click **Add** to select the ring tone from PC.

---

#### **Note**

Available Audio Format: WAV、AAC, Size: Less than 600 KB, Sample Rate: 8000Hz, Mono.

---

### Press Button to Call

#### Steps

1. Go to **Intercom** → **Press Button to Call** to enter the settings page.
2. Check **Call Indoor Station** or **Call Management Center** as the button call target.

---

#### **Note**

If you check **Call Indoor Station**, you should enter the call indoor station No.

---

3. Click **Save**.

### Input and Output

Go to **Intercom** → **I/O Settings** to enter the settings page.

I/O Input No.	<input type="text" value="Input1"/>
Input	<input type="text" value="Door Status"/>
I/O Output No.	<input type="text" value="Output1"/>
Output	<input type="text" value="Electric Lock"/>

**Figure 4-16 IO Input and Output**

Select **I/O Input No.**, **Input**, **I/O Output No.** and **Output**.  
Click **Save** to enable the settings.

### 4.5.9 Access Control Settings

#### Door Parameters

##### Steps

1. Click **Access Control** → **Door Parameters** to enter the settings page.

Door	<input type="text" value="Door1"/>
Door Name	<input type="text"/>
Door Contact	<input type="radio"/> Remain Closed <input checked="" type="radio"/> Remain Open
Lock Action Time	<input type="text" value="15"/> S

**Figure 4-17 Door Parameters**

2. Select the door and edit the door name.
3. Set door contact status.
4. Set lock action time.
5. Click **Save** to enable the settings.

#### Card Security

Go to **Access Control** → **Card Security** to enter the settings page.

Slide to enable card encryption parameters and CPU card reading content. Click **Save** to enable the settings.

## Elevator Control

### Before You Start

- Make sure your door station is in the mode of main door station. Only the main door station support elevator control function.
- Make sure your door station has been connected to the elevator controller via RS-485 wire if you want to use RS-485 interface.

### Steps

1. Click **Access Control** → **Elevator Control** to enter the corresponding configuration page.

Enable elevator control

Elevator No.

Elevator Controller Type

Interface Type

Negative Floor Capacity

Alarm Receiver Type

Server IP Address

Port

User Name

Password

**Save**

**Figure 4-18 Elevator Control**

2. Check to enable elevator control function.
3. Select an Elevator No., and select an elevator controller type for the elevator.

4. Set the Negative Floor.
  5. Select the Interface Type as RS-485 or Network Interface. And enable the elevator control.
    - If you select RS-485, make sure you have connected the door station to the elevator controller with RS-485 wire.
    - If you select Network interface, enter the elevator controller's IP address, port No., user name, and password.
  6. Click **Save** to enable the settings.
- 

 **Note**

- Up to 4 elevator controllers can be connected to one door station.
  - Up to 10 negative floors can be added.
  - Make sure the interface types of elevator controllers, which are connected to the same door station are consistent.
-

## 5 Configuration via Client Software

### 5.1 Device Management

Device management includes device activation, adding device, editing device, and deleting device, and so on.

After running the iVMS-4200, video intercom devices should be added to the client software for remote configuration and management.

#### 5.1.1 Add Online Device

##### Before You Start

Make sure the device to be added is in the same subnet with your computer. Otherwise, please edit network parameters first.

##### Steps

1. Click **Online Device** to select an active online device.
2. Click **Add**.
3. Enter corresponding information, and click **Add**.



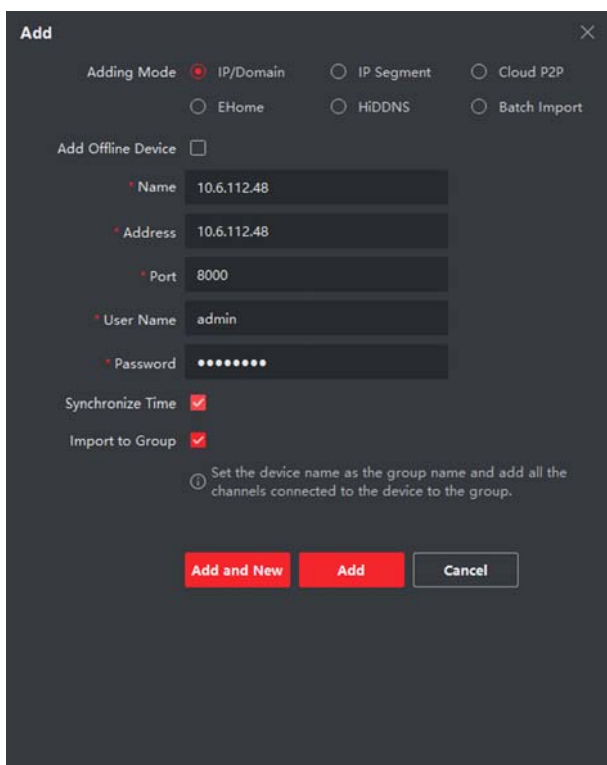


Figure 5-1 Add to the Client

### 5.1.2 Add Device by IP Address

#### Steps

1. Click **+Add** to pop up the adding devices dialog box.
2. Select **IP/Domain** as **Adding Mode**.
3. Enter corresponding information.
4. Click **Add**.

### 5.1.3 Add Device by IP Segment

You can add many devices at once whose IP addresses are among the IP segment.

#### Steps

1. Click **+Add** to pop up the dialog box.
2. Select **IP Segment** as **Adding Mode**.
3. Enter corresponding information, and click **Add**.

## 5.2 Live View via Door Station

#### Steps

1. On the main page of the client software, click **Main View** to enter the Live View page.
2. In the left list of the window, double-click the device IP or click the play icon to live view.
3. **Optional:** On the Live View page, control-click and select **Capture** to get the picture of the live view.

## 5.3 Video Intercom Settings

The Video Intercom Management module provides the function of video intercom, checking call logs and managing notice via the iVMS-4200 Client Software.

---

#### Note

For the user with access control module permissions, the user can enter the Access Control module and manage video intercom and search information.

---

You should add the device to the software and configure the person to link the device in Access Control module before your configuration remotely.




On the main page, click  **AccessControlInfo** → **Video Intercom** → **Video Intercom** on the left bar to enter the Video Intercom page.

### 5.3.1 Receive Call from Door Station

#### Steps

1. Select the client software in the page to start calling the client and an incoming call dialog will pop up in the client software.
2. Click **Answer** to answer the call. Or click **Hang Up** to decline the call.

3. After you answer the call, you will enter the In Call page.

- Adjust the Volume of Loudspeaker**      Click  to adjust the volume of loudspeaker.
- Hang Up**      Click **Hang Up** to hang up.
- Adjust the Volume of Microphone**      Click  to adjust the volume of microphone.
- Unlock Remotely**      For door station, you can click  to open the door remotely.

 **Note**

- One video intercom device can only connect with one client software.
- The maximum ring duration can be set from 15s to 60s via the Remote Configuration of the video intercom device.
- The maximum speaking duration between indoor station and iVMS-4200 can be set from 120s to 600s via the Remote Configuration of indoor station.
- The maximum speaking duration between door station and iVMS-4200 can be set from 90s to 120s via the Remote Configuration of door station.

### 5.3.2 Search Call Logs

**Steps**

1. On the Video Intercom page, click **Call Log** to enter the page.

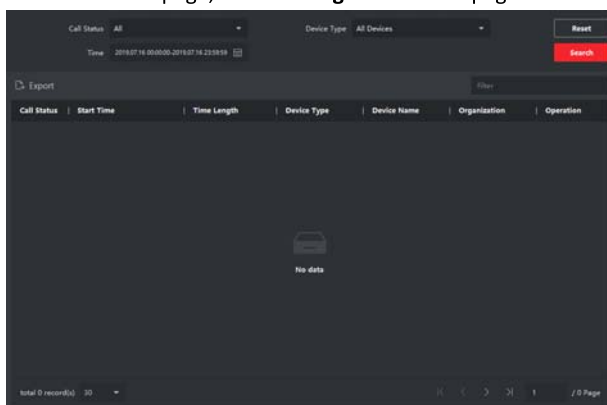


Figure 5-2 Search Call Logs

2. Set the search conditions, including call status, device type, start time and end time.

**Call Status**

Click ▼ to unfold the drop-down list and select the call status as **Dialed**, **Received** or **Missed**. Or select **All** to search logs with all statuses.

**Device Type**

Click ▼ to unfold the drop-down list and select the device type as **Indoor Station**, **Door Station**, **Outer Door Station** or **Analog Indoor Station**. Or select **All Devices** to search logs with all device types.

**Start Time/End Time**


Click the time icon to specify the start time and end time of a time period to search the logs.

**Reset the Settings** Click **Reset** to reset all the configured search conditions.

3. Click **Search** and all the matched call logs will display on this page.
4. **Optional:** Check the detailed information of searched call logs, such as call status, ring/speaking duration, device name, resident organization, etc.
5. **Optional:** Input keywords in the Search field to filter the desired log.
6. **Optional:** Click **Export** to export the call logs to your PC.

### 5.3.3 Upload Armed Information

**Steps**

1. On the main page, click upper right  → **Tool** → **DeviceGuard** to enter the page.
2. Enable to arm or disarm the device.

---

 **Note**

- While device has been added to the client software, the device armed by default.
  - When the device is armed, the alarm logs upload to the client software automatically.
  - Click **Alarm Application** → **Event Search** to search the alarm logs.
- 

3. **Optional:** Click **Arm All** or **Disarm All** to arm or disarm all the device.

## A. Communication Matrix and Device Command

### Communication Matrix

Scan the following QR code to get the device communication matrix.

Note that the matrix contains all communication ports of Hikvision access control and video intercom devices.



Figure A-1 QR Code of Communication Matrix

### Device Command

Scan the following QR code to get the device common serial port commands.

Note that the command list contains all commonly used serial ports commands for all Hikvision access control and video intercom devices.



Figure A-2 Device Command

**UD20209B**