

# Operation and Installation Guide

## USER MANUAL

### A4-R0702TJ

#### SAFETY INSTRUCTION

- Install the equipment in such way that the mains supply plug or the connector of the equipment can be easily reached.
- Do not place the equipment where water can drip or splash onto it.
- Do not place sources of heat, such as ovens, furnaces, or burning candles, etc., and sources of magnetic fields, such as TVs, microwaves, etc.
- Do not block the ventilation slots of the equipment. When installing the equipment, leave some free space around it to provide adequate ventilation.
- Do not clean the equipment with spray cleaners or solvents. Unplug the power supply before clean.

#### CAUTION

Do not disassemble the equipment freely. Mishandling, alternations or modifications not approved by the professional technician will void the warranty.

#### GENERAL FEATURES

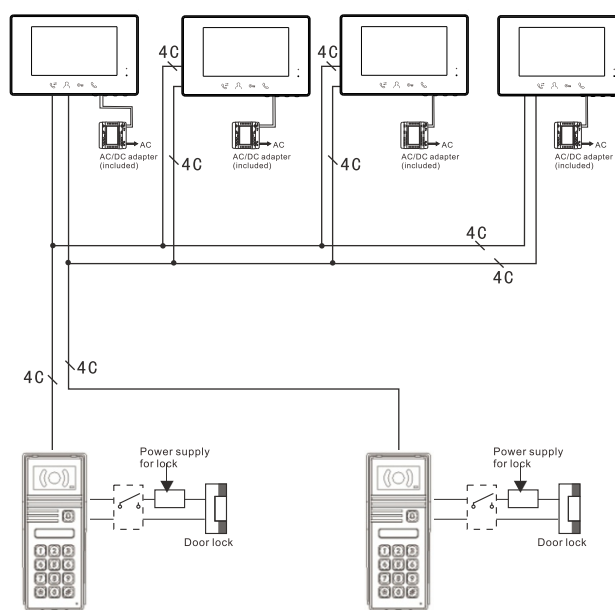
The A4 Villa Video Door Phone System offers you complete control over the access of visitors to your house, in addition, it allows you to identify the person who calls provides convenient operation to active the communicate. The system is fully compatible with CCTV cameras, indoor monitors (max. 4) /entrance panels (max. 2) can be connected into.

1

#### SYSTEM CONFIGURATION DIAGRAM

##### VILLA SYSTEM DIAGRAM

■ 2 Outdoor stations & 4 Indoor monitors



2

#### INDOOR MONITOR

##### VIDEO DOORPHONE

■ Model: A4-R0702TJ

NO	Icon	Description	NO	Icon	Description
①		Power Indicated Light	⑧		Chroma/Contrast
②		Talk	⑨		Talk Volume
③		Unlock	⑩		Ringtone Volume
④		Monitor	⑪		Speaker
⑤		Call-Forward	⑫		Mounting Connection
⑥		Microphone	⑬		Wiring Terminals
⑦		Brightness			

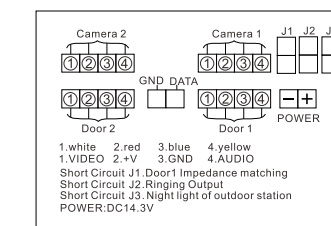
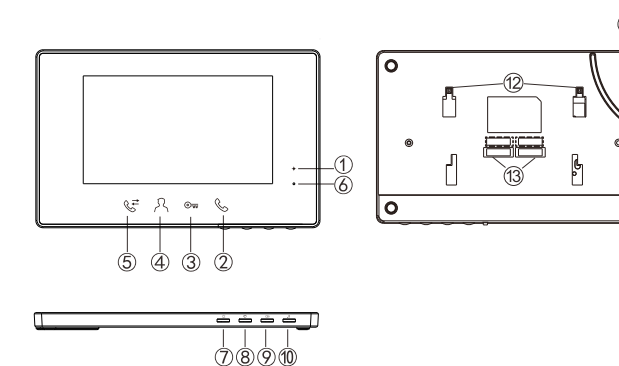
■ Model: A4-R0702TJ

##### Specification

Voltage	DC 14.3V
Temperature	-10 ~ +60°C
Stand by	≤40mA
Working current	≤350mA
Image display	7" TFT
Talking mode	Dual Transmission
Talking time	120 S

3

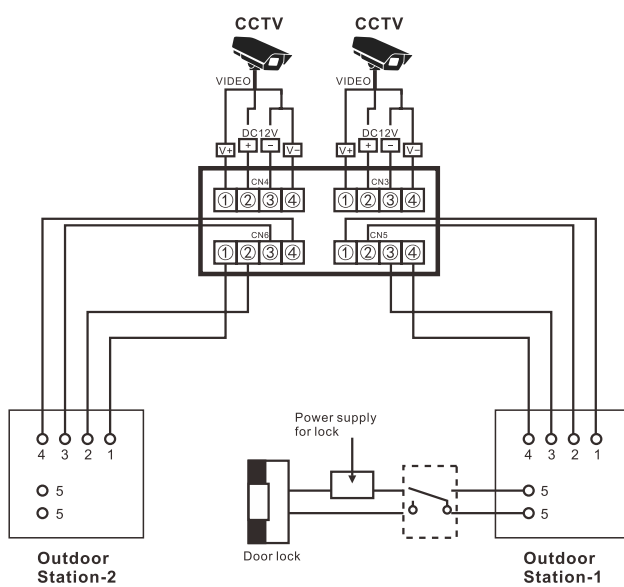
■ A4-R0702TJ



4

#### WIRING CONNECTIONS

- Color : 1.white 2.red 3.blue 4.yellow
- Function : 1.VIDEO+ 2.+V 3.GND 4.VIDEO-

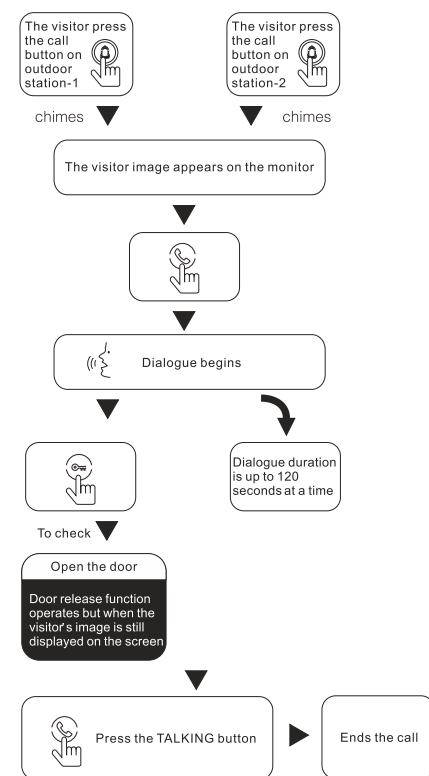


NOTE:

1. For lock please connect an additional power supply.
2. When there are 2 or more indoor monitors, short-circuit J1 and J2 of one indoor monitor, which is the farrest distance to the outdoor station.

5

#### OPERATION OF THE SYSTEM



6

#### NO CALL. INDOOR MONITOR ON STAND-BY

If the monitor does not receive a call, the functions of UNLOCK (Ⓜ) and TALK (☎) with the outdoor station are disabled. It is possible to monitor the street by press MONITOR (📺) button.

#### RECEIVING A CALL. INDOOR MONITOR ACTIVATED

1. An audio signal from the indoor monitor will be heard when a call is received from outdoor station. Following the screen will switch on and show the image of the person who has called.
  - \* If no other buttons are pressed the monitor will shut off after 60 seconds.
2. When the TALK (☎) button is pressed, communication is established with the person who is calling.
  - \* The conversation time is limited to 120 seconds. The conversation will end when the communication button is pressed again, or when the conversation time runs out. The system will then revert to being on standby.
3. Press the corresponding button (📺) to open the door, and allow the person access to the house.

#### SEVERAL MONITORS IN YOUR HOUSE

1. The call rings on all the monitors. The first person to answer and establishes communication with the visitor.
2. Intercom Call
  - If there are several monitors in the dwelling, it is possible to make an internal intercom call.
  - To do this, while the system is on standby press the Call-forward button (📞) of one of the monitors: all the other monitors will emit DINGDONG sounds. The call is answered by press the TALK (☎) on one of the other monitors. There is 60 seconds to answer the inner calling.
3. Call-forward Function
  - Press Call-forward (📞) button to forward the call to other indoor monitors. When you press this button during the intercom, the other indoor monitors (if have) will ring and pop up the image of outside visitor.

7

#### ADJUSTMENT OPTIONS

1. Turn the VOLUME CONTROL knob (↔) to increase/decrease the volume which will be heard by the person at the indoor monitor.
2. The characteristics of brightness and contrast of the image can be adjusted from the monitor. To do so, simply adjust the controls (☀) and (🌑) of the monitor.

#### MONITOR EXTRA CCTV CAMERA

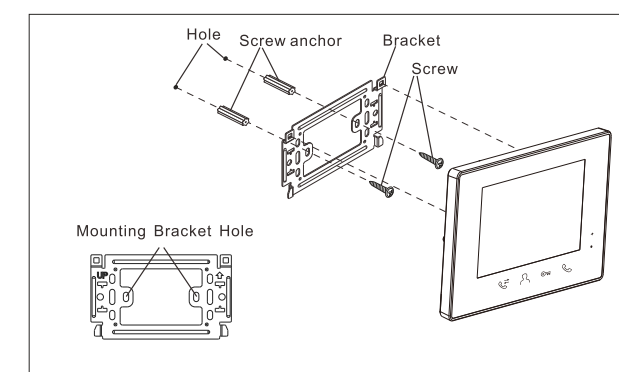
If connect two CCTV cameras, press the Monitor Button (📺) once to see the outdoor station; press again, the #1 CCTV camera; the third press, #2 CCTV camera. The same operation on the other monitors.

#### INSTALLATION PROCESS

##### INSTRUCTION:

- (1). Cable Requirement: ① non-stp core cable
- ② Diameter of wire ≥ 0.5mm<sup>2</sup> from outdoor to the farthest monitor ≤ 70m
- ③ Standard cable are RVVP4.0 or RVV4.0
- (2). The system can support at most 4 indoor monitors and 2 outdoor stations
- (3). Each video door phone should be with power supply
- (4). CCTV current requirement : working ≤500mA

##### ■ A4-R0702TJ INSTALLATION DIAGRAM SKETCH



9