

Operation and Installation Guide

USER MANUAL

FOR 2-WIRE VILLA SYSTEM

A2-D0103TM

SAFETY INSTRUCTION

1. Install the equipment in such way that the main supply plug or the connector of the equipment can be easily reached.
2. Do not place the equipment where water can drip or splash onto it.
3. Do not place sources of heat, such as ovens, furnaces, or burning candles, etc., and sources of magnetic fields, such as TVs, microwaves, etc..
4. Do not block the ventilation slots of the equipment. When installing the equipment, leave some free space around it to provide adequate ventilation.
5. Do not clean the equipment with spray cleaners or solvents. Unplug the power supply before cleaning.

CAUTION

6. Do not disassemble the equipment freely. Mishandling, alternations or modifications not approved by the professional technician will void the warranty.

GENERAL FEATURES

7. This Video Door Phone System offers you complete control over the access of visitors to your house, in addition, it allows you to identify the person who calls and provides convenient operation to active the communicate.

1

OUTDOOR STATION

VIDEO DOORPHONE

■ A2-D0103TM

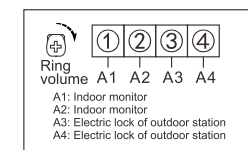
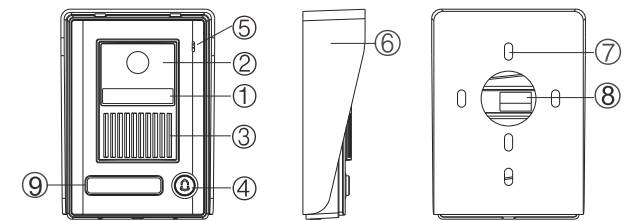
NO.	NAME	DESCRIPTION
①	LED Assistant	Provide lighting during night time for better visibility
②	Camera	Capture the image to sent to the monitor
③	Speaker	Sound from the monitor is delivered
④	Calling Button	Call the indoor phone to communicate
⑤	Microphone	Delivers and sound voice when communication with the indoor phone
⑥	Water Cover	Protect the camera from outside water
⑦	Screw Hole	Install the screws
⑧	Connection Wiring	Connection with the monitor
⑨	Nameplate	Show residential name

2

Specification

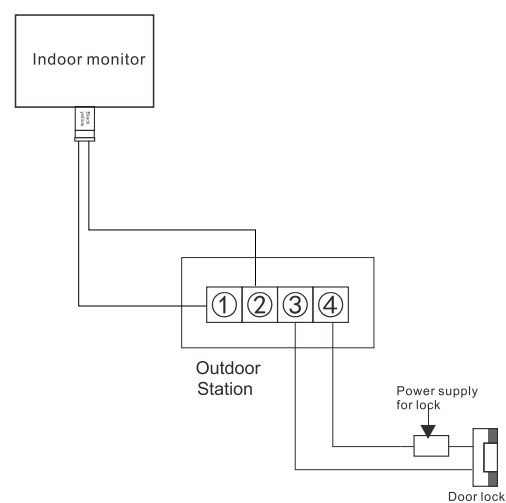
Power	DC17V
Electric current	Working ≤200mA
Camera lens	1/4", 72° / 110°
Resolution	600 TVL
Illumination	0.05LUX
Talking duration	120s
Working Temperature	-20~+55°C
IP rating	55

■ A2-D0103TM.....134X98X40 (mm)



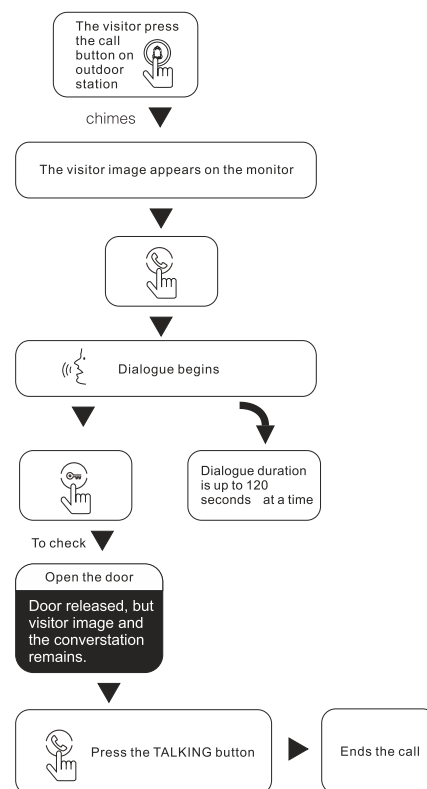
3

WIRING DIAGRAM



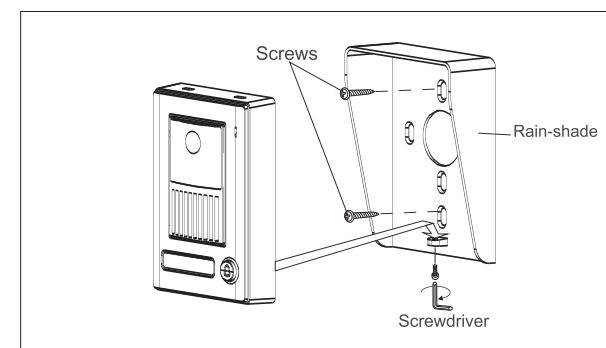
4

Basic Function



5

A2-D0103TM INSTALLATION DIAGRAM SKETCH



6