

Operation and Installation Guide

USER MANUAL

FOR A4 VILLA SYSTEM

A4-R0401TM	A4-R0402TM	A4-R0701TM
A4-R0702TJ	A4-R0703TJ	A4-R0704TJ
A4-D0101TM	A4-D0102TM	A4-D0103TM
A4-D0104TM	A4-D0107TM	A4-D0109TM

INDEX

1. SAFETY INSTRUCTION.....	1
2. GENERAL FEATURES.....	1
3. SYSTEM CONFIGURATION DIAGRAM.....	2
4. INDOOR MONITOR.....	3
5. OUTDOOR STATION.....	10
6. WIRING CONNECTIONS	16
7. OPERATION OF THE SYSTEM.....	17
8. OPERATION OF A4-D0108.....	19
9. INSTALLATION PROCESS.....	22

SAFETY INSTRUCTION

- Install the equipment in such way that the mains supply plug or the connector of the equipment can be easily reached.
- Do not place the equipment where water can drip or splash onto it.
- Do not place sources of heat, such as ovens, furnaces, or burning candles, etc., and sources of magnetic fields, such as TVs, microwaves, etc.
- Do not block the ventilation slots of the equipment. When installing the equipment, leave some free space around it to provide adequate ventilation.
- Do not clean the equipment with spray cleaners or solvents. Unplug the power supply before clean.

CAUTION

Do not disassemble the equipment freely. Mishandling, alternations or modifications not approved by the professional technician will void the warranty.

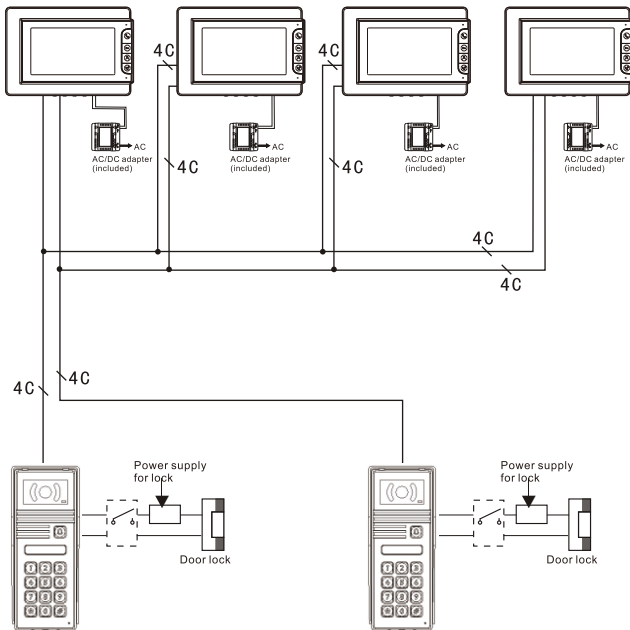
GENERAL FEATURES

The A4 Villa Video Door Phone System offers you complete control over the access of visitors to your house, in addition, it allows you to identify the person who calls provides convenient operation to active the communicate. The system is fully compatible with CCTV cameras, indoor monitors (max. 4) /entrance panels (max. 2) can be connected into.

SYSTEM CONFIGURATION DIAGRAM

VILLA SYSTEM DIAGRAM

■ 2 Outdoor stations & 4 Indoor monitors



INDOOR MONITOR

VIDEO DOORPHONE

■ Model: A4-R0401TM A4-R0402TM A4-R0701TM
A4-R0702TJ A4-R0703TJ A4-R0704TJ

NO	Icon	Description	NO	Icon	Description
①		Power Indicator Light	⑧		Chroma/Contrast
②	☎	Talk	⑨	🔊	Talk Volume
③	🔑	Unlock	⑩	🎵	Ring Volume
④	👤	Monitor	⑪		Speaker
⑤	📞	Call-Forward	⑫		Mounting Connection
⑥		Microphone	⑬		Wiring Terminals
⑦	☼	Brightness	⑭		

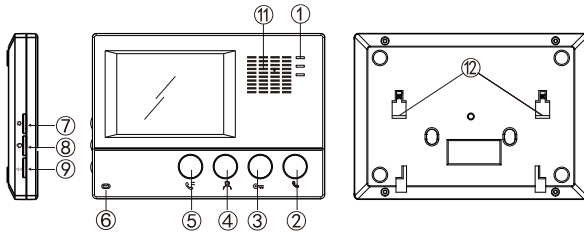
■ Model: A4-R0401TM A4-R0402TM

Specification	
Working Voltage	DC 14.3V
Working Temperature	-10 ~ +60°C
Stand by	≤40mA
Working Current	≤200mA
Image Display	4.3" TFT
Talking Mode	Dual Transmission
Talking Time	120 S

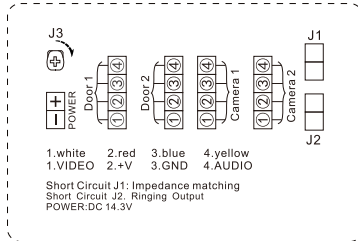
■ Model:A4-R0701TM A4-R0702TJ A4-R0703TJ A4-R0704TJ

Specification	
Working Votage	DC 14.3V
Working Temperature	-10 ~ +60°C
Stand by	≤40mA
Working Current	≤350mA
Image Display	7" TFT
Talking Mode	Dual Transmission
Talking Time	120 S

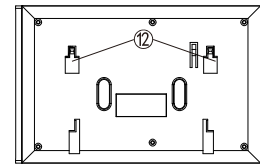
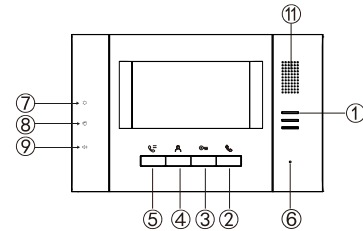
■ A4-R0401TM



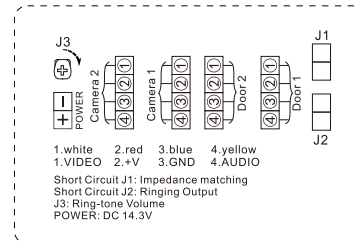
Dimension: 180X128X24(mm)



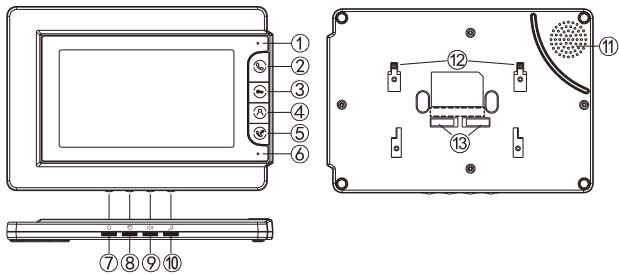
■ A4-R0402TM



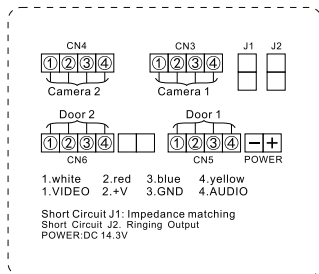
Dimension: 200X125X23(mm)



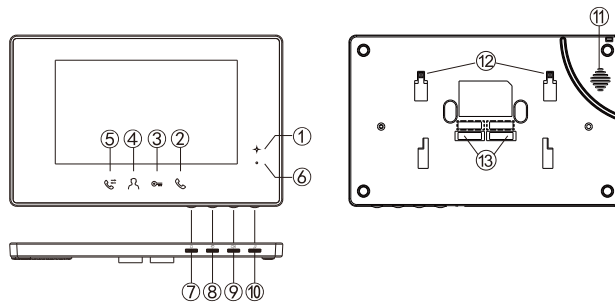
■ A4-R0701TM



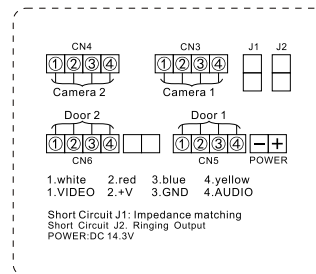
Dimension: 232X161X20 (mm)



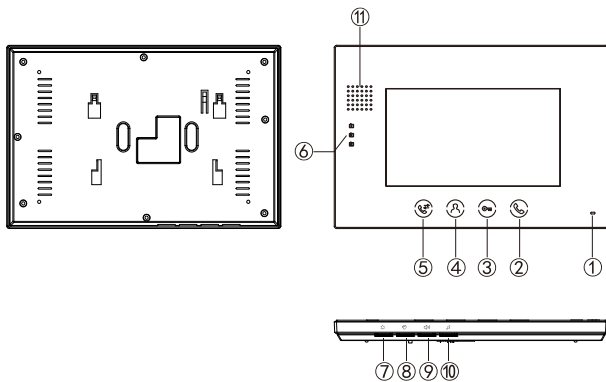
■ A4-R0702TJ



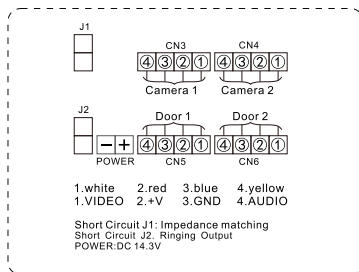
Dimension: 233X146X14 (mm)



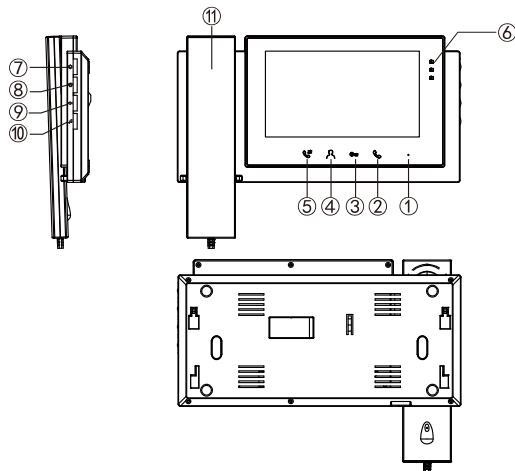
■ A4-R0703TJ



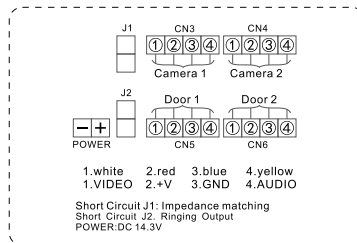
Dimension: 241X161X18(mm)



■ A4-R0704TJ



Dimension: 280X145X24(mm)



OUTDOOR STATION

VIDEO DOORPHONE

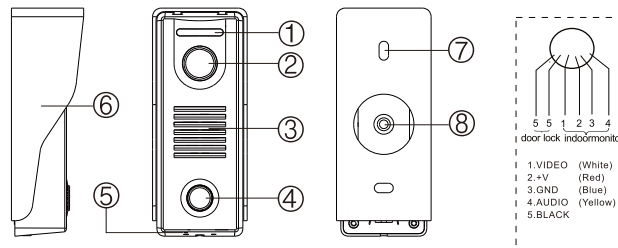
- A4-D0101TM A4-D0102TM A4-D0103TM A4-D0104TM
- A4-D0107TM A4-D0109TM

NO.	NAME	DESCRIPTION
①	LED Assistant	Provide lighting during night time for better visibility
②	Camera	Capture the image to sent to the monitor
③	Speaker	Sound from the monitor is delivered
④	Call Button	Call the indoor phone to communicate
⑤	Microphone	Delivers sound when communcation with the indoor phone
⑥	Water Cover	Protect the camera from outside water
⑦	Screw Hole	Install the screws
⑧	Connection Wire	Connect with the monitor
⑨	Nameplate	Show residential name

Specification

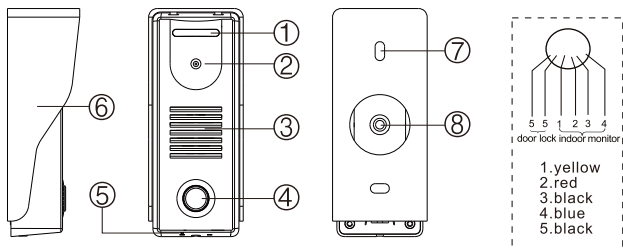
Working Votage	DC14.3V
Working Current	Working \leq 200mA
Camera Lens	1/4 CMOS
Resolution	700 TVL
Illumination	0.05LUX
Talking Time	120s
Working Temperature	-20~+55°C
IP Rating	55

■ A4-D0101



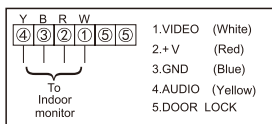
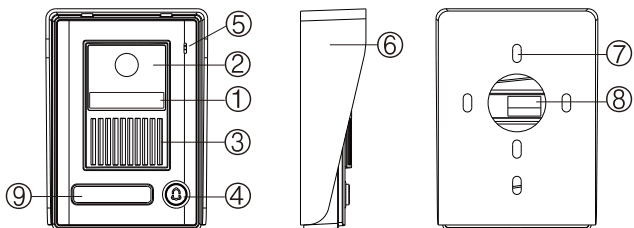
Dimension: 55X132.5X42(mm)

■ A4-D0102



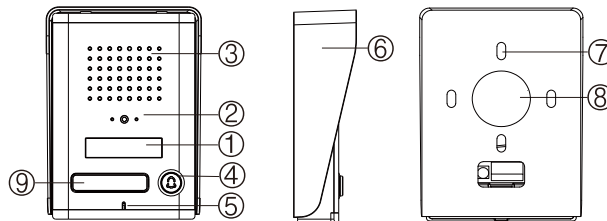
Dimension: 55X132.5X42(mm)

■ A4-D0103

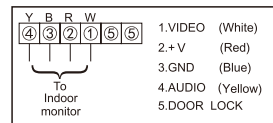


Dimension: 98X134X40(mm)

■ A4-D0104

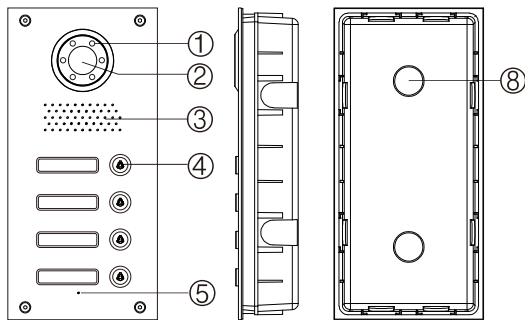


Dimension: 98X134X40(mm)

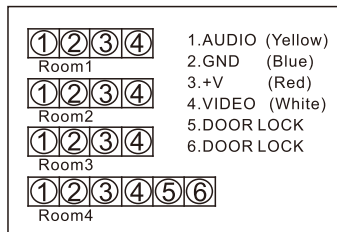


Installation tip: we suggest the installation height of 1.5 m from ground.

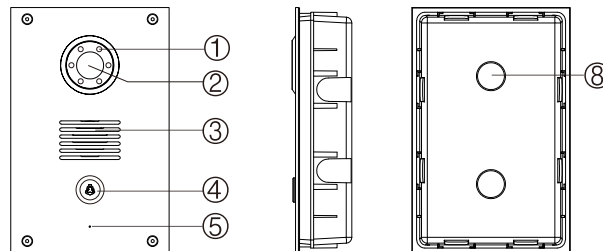
■ A4-D0107



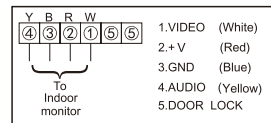
Dimension:250X120X50(mm)



■ A4-D0109



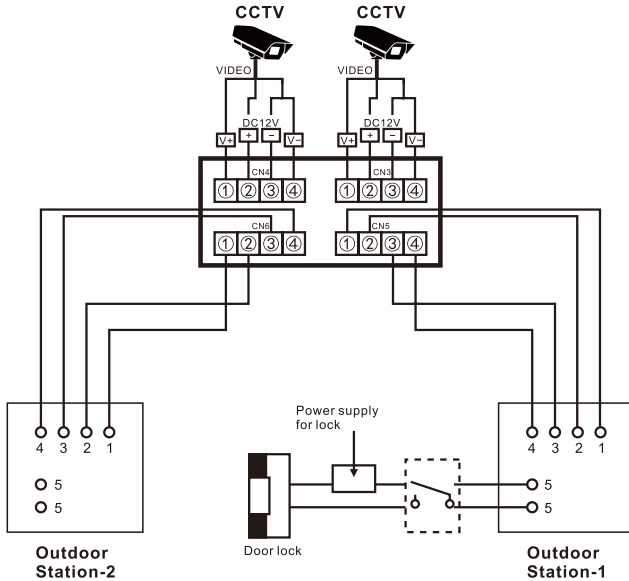
Dimension:209X135X50(mm)



Installation tip: we suggest the installation heigh of 1.5 m from ground.

WIRING CONNECTIONS

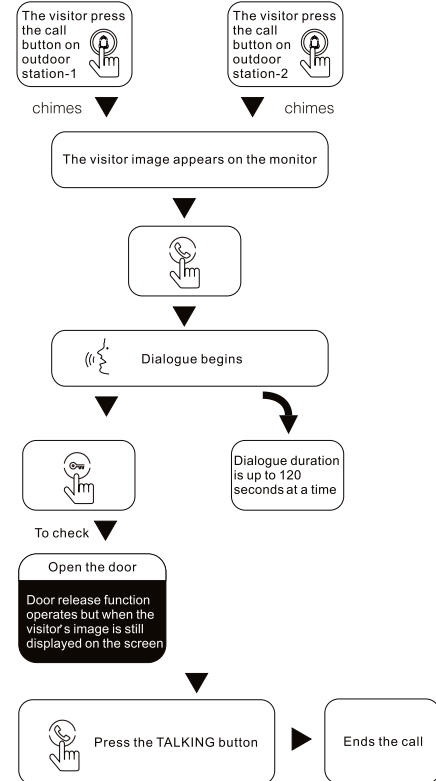
- **Color :** 1.white 2.red 3.blue 4.yellow
- **Function :** 1.VIDEO+ 2.+V 3.GND 4.VIDEO-



NOTE:

1. For lock please connect an additional power supply.
2. When there are 2 or more indoor monitors, short-circuit J1 and J2 of one indoor monitor, which is the farrest distance to the outdoor station.

OPERATION OF THE SYSTEM



NO CALL. INDOOR MONITOR ON STAND-BY

If the monitor does not receive a call, the functions of UNLOCK (🔓) and TALK (🗣️) with the outdoor station are disabled. It is possible to monitor the street by press MONITOR (👁️) button.

RECEIVING A CALL. INDOOR MONITOR ACTIVATED

1. An audio signal from the indoor monitor will be heard when a call is received from outdoor station. Following the screen will switch on and show the image of the person who has called.
 - * If no other buttons are pressed the monitor will shut off after 60 seconds.
2. When the TALK (🗣️) button is pressed, communication is established with the person who is calling.
 - * The conversation time is limited to 120 seconds. The conversation will end when the communication button is pressed again, or when the conversation time runs out. The system will then revert to being on standby.
3. Press the corresponding button (🔓) to open the door, and allow the person access to the house.

SEVERAL MONITORS IN YOUR HOUSE

1. The call rings on all the monitors. The first person to answer and establishes communication with the visitor.
2. Intercom Call
If there are several monitors in the dwelling, it is possible to make an internal intercom call.
To do this, while the system is on standby press the Call-forward button (📞) of one of the monitors: all the other monitors will emit DINGDONG sounds. The call is answered by press the TALK (🗣️) on one of the other monitors. There is 60 seconds to answer the inner calling.
3. Call-forward Function
Press Call-forward (📞) button to forward the call to other indoor monitors. When you press this button during the intercom, the other indoor monitors (if have) will ring and pop up the image of outside visitor.

ADJUSTMENT OPTIONS

1. Turn the VOLUME CONTROL knob (🔊) to increase/decrease the volume which will be heard by the person at the indoor monitor.
2. The characteristics of brightness and contrast of the image can be adjusted from the monitor.
To do so, simply adjust the controls (☀️) and (🌀) of the monitor.

MONITOR EXTRA CCTV CAMERA

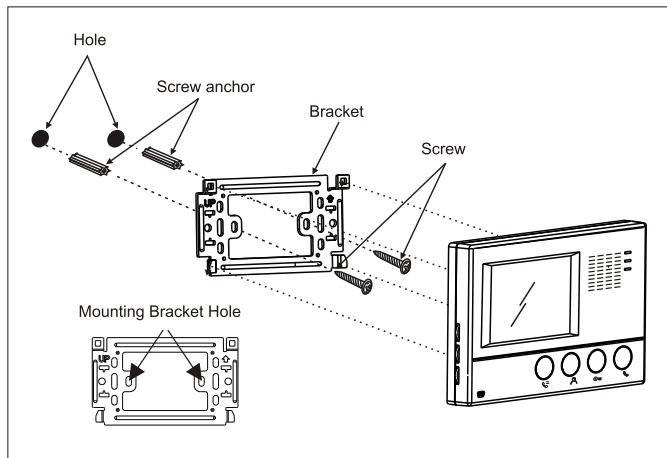
If connect two CCTV cameras, press the Monitor Button (👁️) once to see the outdoor station; press again, the #1 CCTV camera; the third press, #2 CCTV camera. The same operation on the other monitors.

INSTALLATION PROCESS

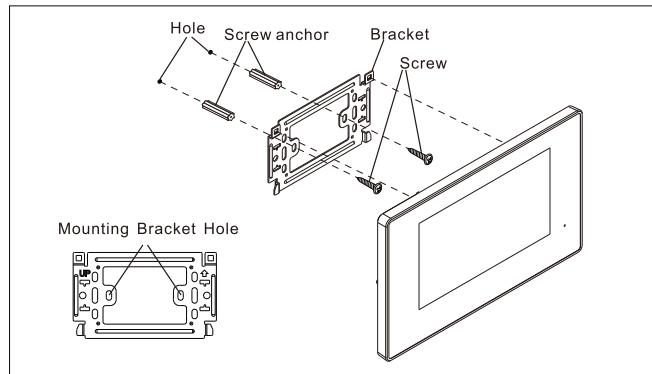
INSTRUCTION:

- (1). Cable Requirement: ① non-stp core cable
② Diameter of wire $\geq 0.5\text{mm}^2$ from outdoor to the farthest monitor $\leq 70\text{m}$
③ Standard cable are RVVP4.0 or RVV4.0
- (2). The system can support at most 4 indoor monitors and 2 outdoor stations
- (3). Each video door phone should be with power supply
- (4). CCTV current requirement :working $\leq 500\text{mA}$

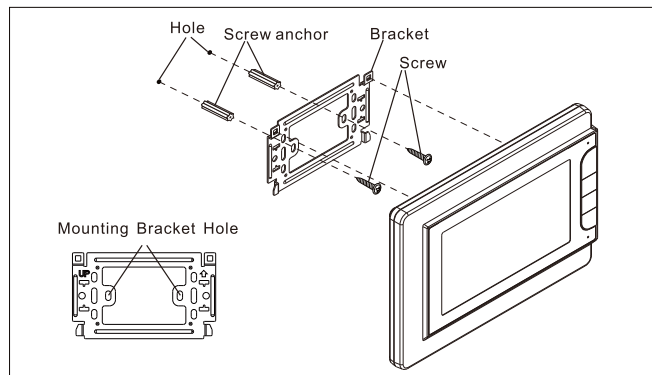
■ A4-R0401TM INSTALLATION DIAGRAM SKETCH



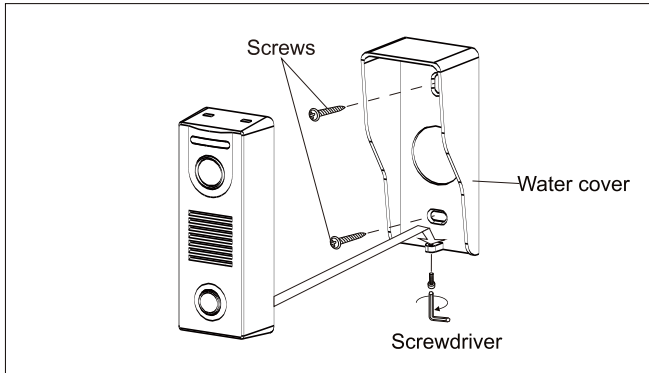
■ A4-R0702TJ INSTALLATION DIAGRAM SKETCH



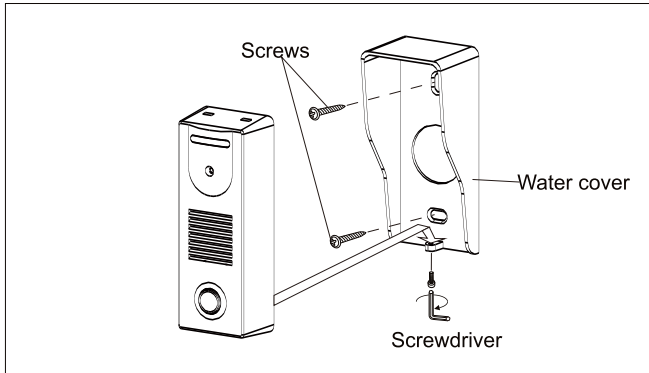
■ A4-R0701TM INSTALLATION DIAGRAM SKETCH



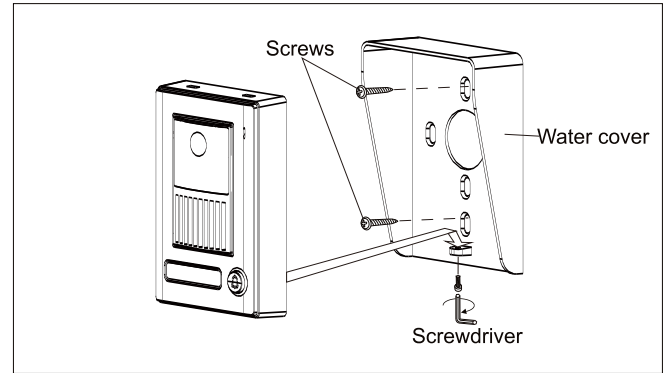
■ A4-D0101TM INSTALLATION DIAGRAM SKETCH



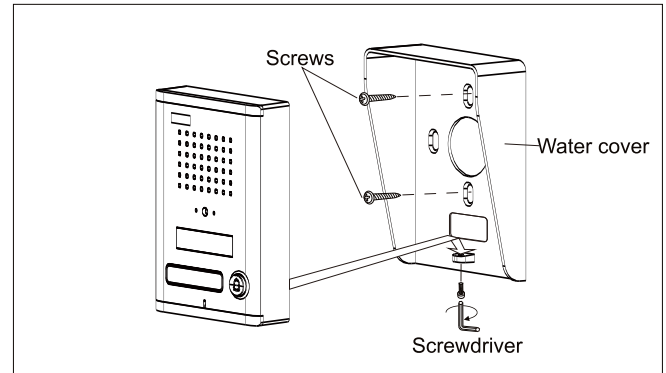
■ A4-D0102TM INSTALLATION DIAGRAM SKETCH



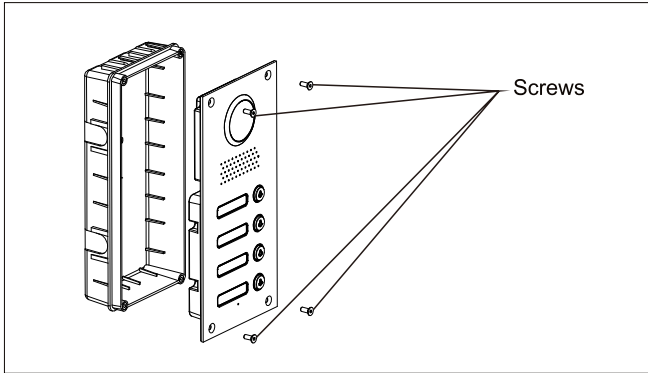
■ A4-D0103TM INSTALLATION DIAGRAM SKETCH



■ A4-D0104TM INSTALLATION DIAGRAM SKETCH



■ A4-D0107TM INSTALLATION DIAGRAM SKETCH



■ A4-D0109TM INSTALLATION DIAGRAM SKETCH

